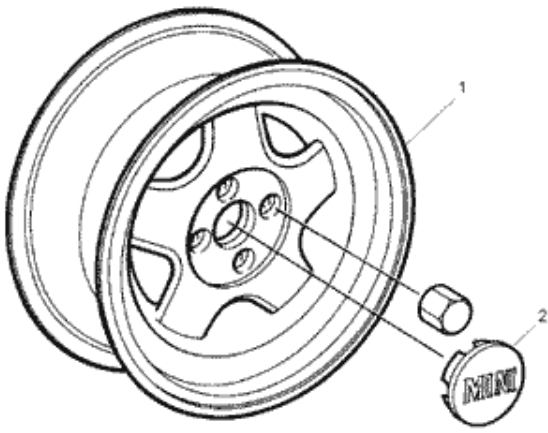


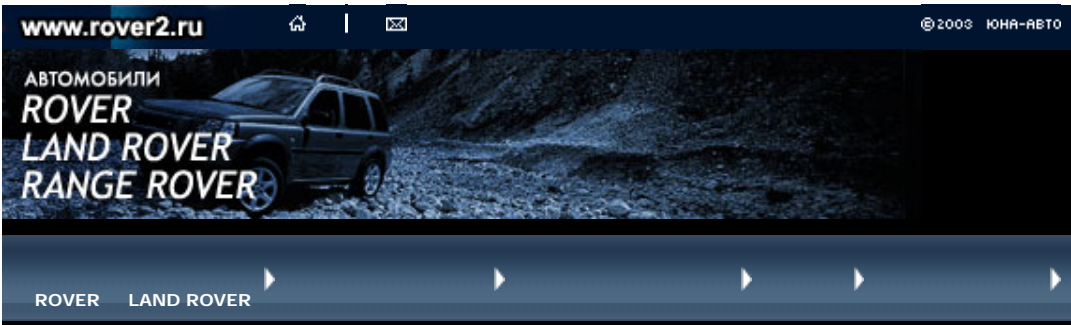
MG Rover | Mini (1990 VIN XN010001on) |  
 Trims - Cabriolet

| Road Wheel, Wheel

- ...  
RRC10479MNH - Wheel-alloy road - Silver, 5 spoke,  
 15.0 x 12  
 Cabriolet -
- DTC10055 - Trim-centre roadwheel - 5 spoke  
 2  
 Cabriolet -

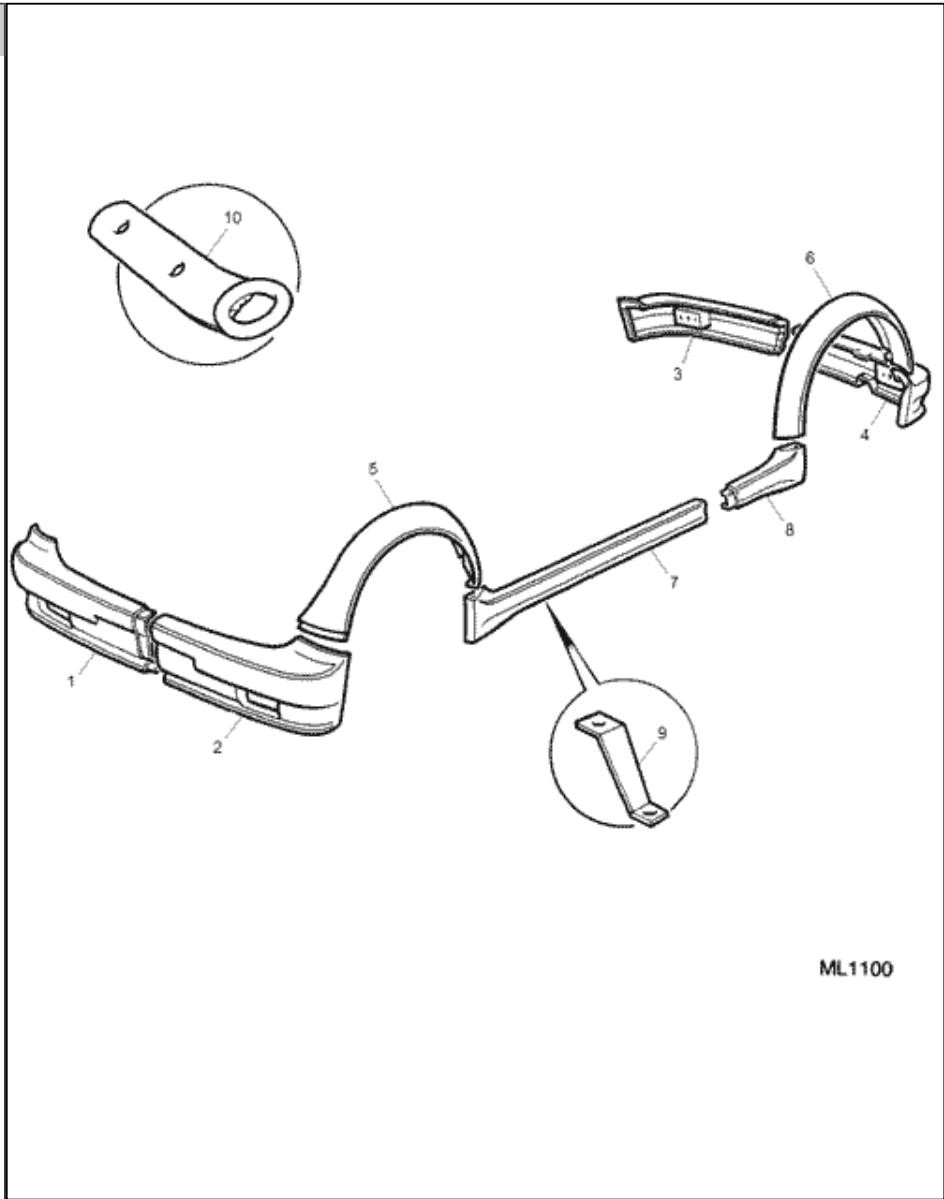


ME 612

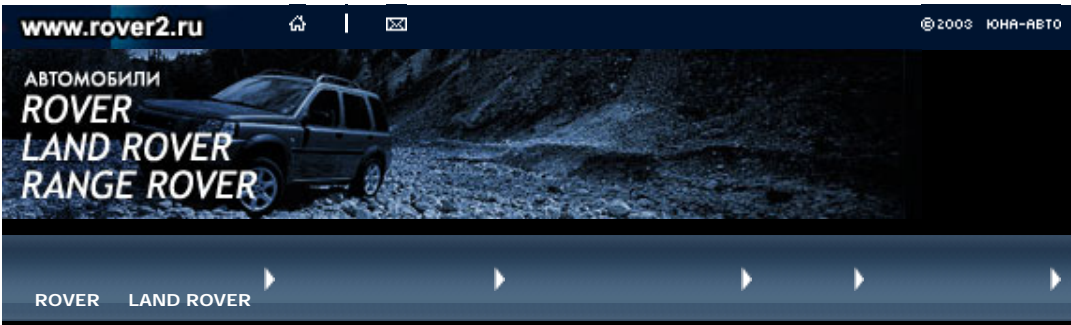


MG Rover | Mini (1990 VIN XN010001on) |  
**Bumpers**

- ...
  - DPB10210HAM** - Bumper assembly-front-painted -  
 1 RH, British Racing Green 2  
 Cabriolet -
  - DPB10210UME** - Bumper assembly-front-painted -  
 1 RH, Carribean Blue  
 Cabriolet -
  - DPB10210COQ** - Bumper assembly-front-painted -  
 1 RH, Nightfire Red  
 Cabriolet -
  - DPB10211HAM** - Bumper assembly-front-painted -  
 2 LH, British Racing Green 2  
 Cabriolet -
  - DPB10211UME** - Bumper assembly-front-painted -  
 2 LH, Carribean Blue  
 Cabriolet -
  - DPB10211COQ** - Bumper assembly-front-painted -  
 2 LH, Nightfire Red  
 Cabriolet -
  - DOB10164HAM** - Bumper assembly-painted rear -  
 3 RH, British Racing Green 2  
 Cabriolet -
  - DOB10164UME** - Bumper assembly-painted rear -  
 3 RH, Carribean Blue  
 Cabriolet -
  - DOB10164COQ** - Bumper assembly-painted rear -  
 3 RH, Nightfire Red  
 Cabriolet -
  - DOB10165HAM** - Bumper assembly-painted rear -  
 4 LH, British Racing Green 2  
 Cabriolet -
  - DOB10165UME** - Bumper assembly-painted rear -  
 4 LH, Carribean Blue  
 Cabriolet -
  - DOB10165COQ** - Bumper assembly-painted rear -  
 4 LH, Nightfire Red  
 Cabriolet -
  - DFJ10009HAM** - Flare-front wheelarch - LH, British  
 5 Racing Green 2  
 Cabriolet -
  - DFJ10009UME** - Flare-front wheelarch - LH,  
 5 Carribean Blue  
 Cabriolet -
  - DFJ10009COQ** - Flare-front wheelarch - LH, Nightfire  
 5 Red  
 Cabriolet -
  - DFJ10008HAM** - Flare-front wheelarch - RH, British  
 5 Racing Green 2, front  
 Cabriolet -
  - DFJ10008UME** - Flare-front wheelarch - RH,  
 5 Carribean Blue  
 Cabriolet -



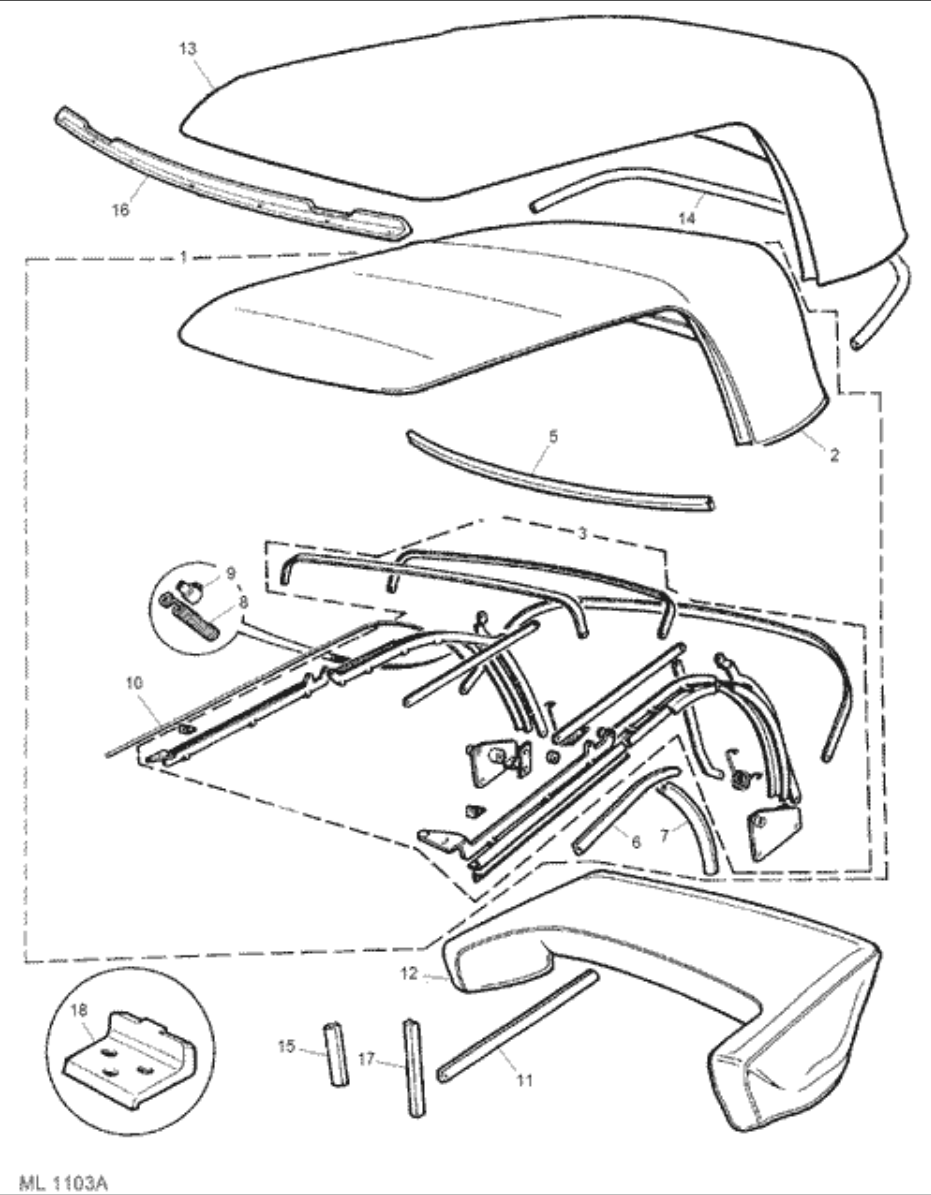
- DFJ10008COQ - Flare-front wheelarch - RH,  
5 Nightfire Red  
Cabriolet -  
DFK10033UME - Flare assembly-rear wheelarch - LH,  
6 Carribean Blue  
Cabriolet -  
DFK10033COQ - Flare assembly-rear wheelarch - LH,  
6 Nightfire Red  
Cabriolet -  
DFK10033HAM - Flare assembly-rear wheelarch -  
6 LH, rear, British Racing Green 2  
Cabriolet -  
DFK10032HAM - Flare assembly-rear wheelarch -  
6 RH, British Racing Green 2  
Cabriolet -  
DFK10032UME - Flare assembly-rear wheelarch -  
6 RH, Carribean Blue  
Cabriolet -  
DFK10032COQ - Flare assembly-rear wheelarch -  
6 RH, Nightfire Red  
Cabriolet -  
DFQ10051HAM - Extension-body side sill - LH,  
7 British Racing Green 2, front  
Cabriolet -  
DFQ10051UME - Extension-body side sill - LH, front,  
7 Carribean Blue  
Cabriolet -  
DFQ10051COQ - Extension-body side sill - LH, front,  
7 Nightfire Red  
Cabriolet -  
DFQ10050HAM - Extension-body side sill - RH,  
7 British Racing Green 2, front  
Cabriolet -  
DFQ10050UME - Extension-body side sill - RH, front,  
7 Carribean Blue  
Cabriolet -  
DFQ10050COQ - Extension-body side sill - RH, front,  
7 Nightfire Red  
Cabriolet -  
DFQ10055HAM - Extension-body side sill - LH, rear,  
8 British Racing Green 2  
Cabriolet -  
DFQ10055UME - Extension-body side sill - LH, rear,  
8 Carribean Blue  
Cabriolet -  
DFQ10055COQ - Extension-body side sill - LH, rear,  
8 Nightfire Red  
Cabriolet -  
DFQ10054HAM - Extension-body side sill - RH, rear,  
8 British Racing Green 2  
Cabriolet -  
DFQ10054UME - Extension-body side sill - RH, rear,  
8 Carribean Blue  
Cabriolet -  
DFQ10054COQ - Extension-body side sill - RH, rear,  
8 Nightfire Red  
Cabriolet -  
9 DVU100090 - Bracket-sill extension fixing  
Cabriolet -  
10 KPU100110 - Bracket assembly-lashing - LH, front  
Cabriolet -



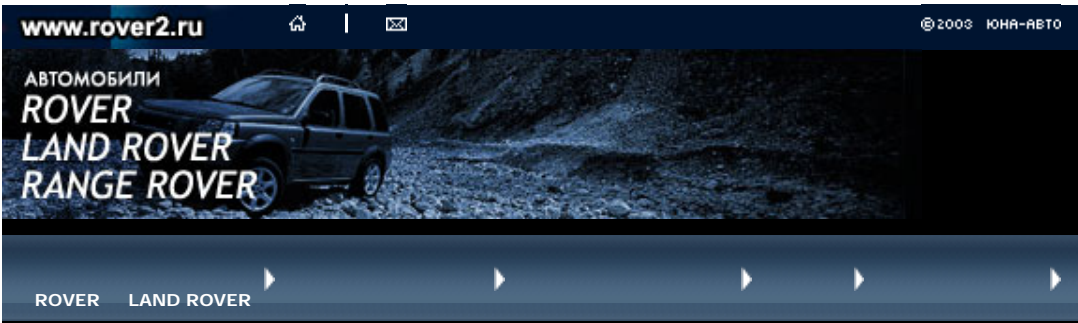
MG Rover | Mini (1990 VIN XN010001on) |

Hood

- ...
  - DSB10004LPT** - Hood assembly-manual convertible
  - 1 - Grey
    - Cabriolet -
    - DJX100150LPT** - Fabric-convertible hood cover -
  - 2 Grey
    - Cabriolet -
    - DJX100150CPE** - Fabric-convertible hood cover -
  - 2 Red
    - Cabriolet -
    - DSE100120PMA** - Frame assembly-manual
  - 3 convertible hood - Black
    - Cabriolet -
    - DSF100780PMA** - Seal-convertible hood front
  - 5 header
    - Cabriolet -
    - DSF100830PMA** - Seal-convertible hood cantrail -
  - 6 LH, rear
    - Cabriolet -
    - DSF100820PMA** - Seal-convertible hood cantrail -
  - 6 RH, rear
    - Cabriolet -
    - DSF100810PMA** - Seal-convertible hood rear
  - 7 quarterlight - Black, LH
    - Cabriolet -
    - DSF100800PMA** - Seal-convertible hood rear
  - 7 quarterlight - Black, RH
    - Cabriolet -
    - DJW100090** - Spring-convertible hood link - LH
  - 8 Cabriolet -
    - DJW100080** - Spring-convertible hood link - RH
  - 8 Cabriolet -
    - DJW100070** - Tensioner assembly
  - 9 Cabriolet -
    - DJQ100070** - Cable-convertible hood tension
  - 10 Cabriolet -
    - DSF100760PMA** - Seal-convertible hood cantrail -
  - 11 front
    - Cabriolet -
    - DSD10025LPT** - Cover assembly-convertible hood
  - 12 tonneau - Grey
    - Cabriolet -
    - DSD100340LPT** - Cover assembly-convertible hood
  - 12 tonneau - Grey
    - Cabriolet -
    - DSD100340CPE** - Cover assembly-convertible hood
  - 12 tonneau - Red
    - Cabriolet -
    - DSD10025CPE** - Cover assembly-convertible hood
  - 12 tonneau - Red, Nightfire Red
    - Cabriolet -
    - DSD100290CPE** - Cover-convertible hood protective
  - 13 - Red
    - Cabriolet -

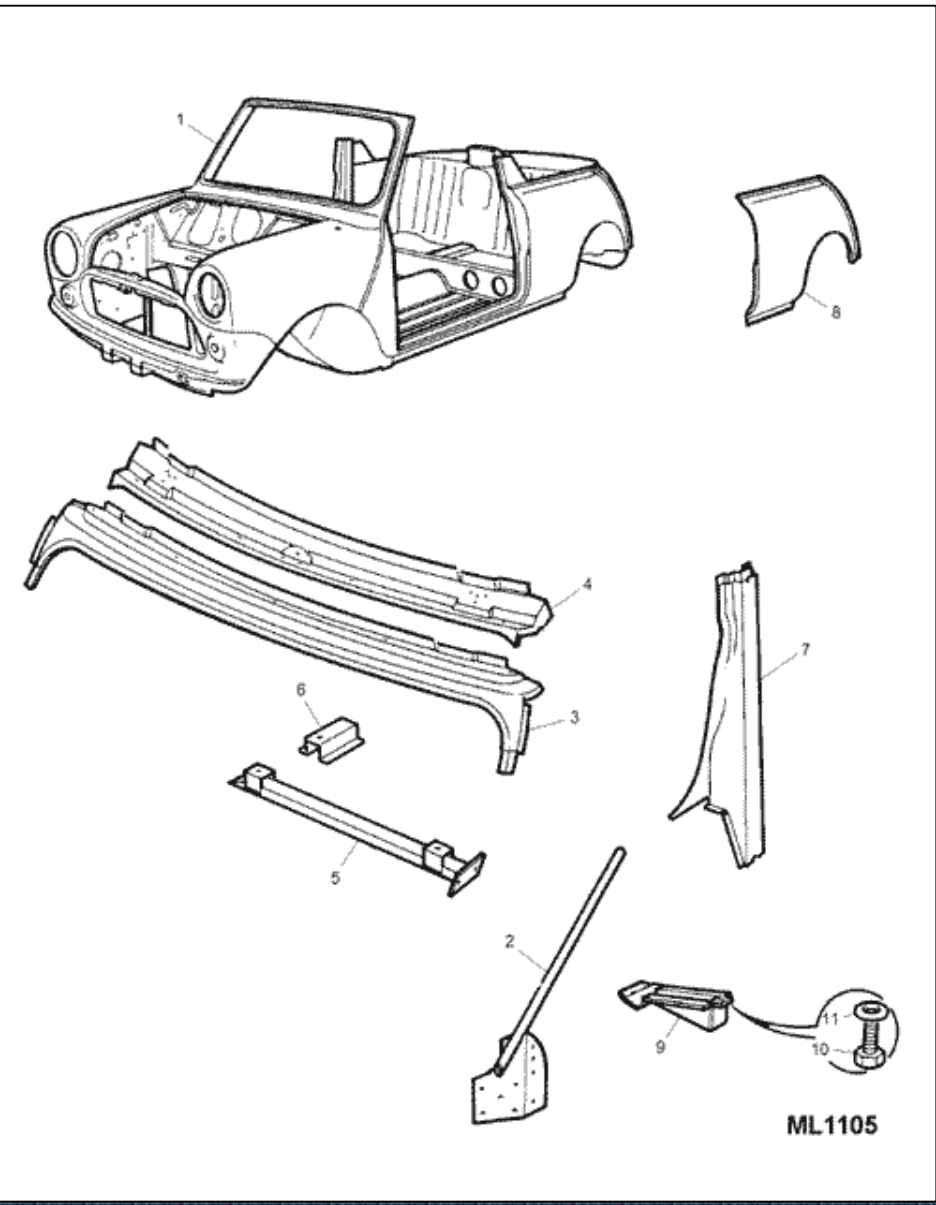


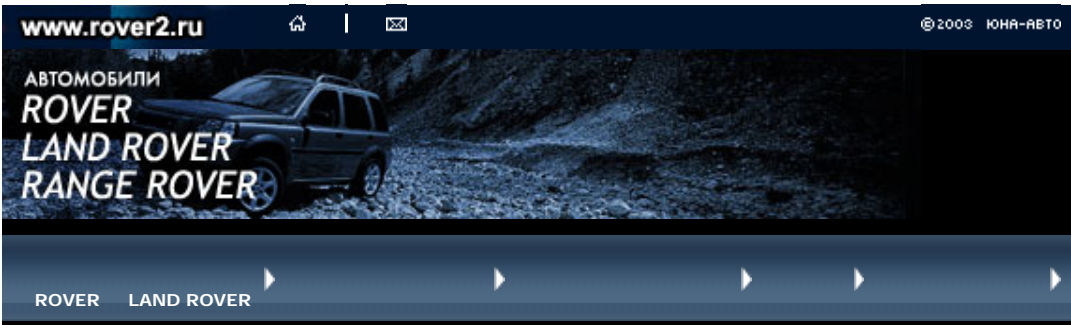
- 14 DSF10033PMA - Seal-convertible hood rear deck attachment - Black Cabriolet -
- 15 DSF100460 - Seal-convertible hood side rear flange Cabriolet -
- 16 DSJ100340 - Finisher-convertible hood header rail edge Cabriolet -
- 17 CPE100250 - Seal-B/C post finisher - LH, upper Cabriolet -
- 17 CPE100240 - Seal-B/C post finisher - RH, upper Cabriolet -
- 18 DJC10003 - Header/striker assembly-convertible hood front Cabriolet -
- 900 DXW100120 - Catch assembly-front header Cabriolet -
- 901 DSZ100050 - Spacer-convertible hood frame lever retainer Cabriolet -
- 902 DUT100010 - Screw Cabriolet -
- 903 DYF100600 - Washer-plain Cabriolet -
- 904 DYF100610 - Washer-spring Cabriolet -



MG Rover | Mini (1990 VIN XN010001on) |

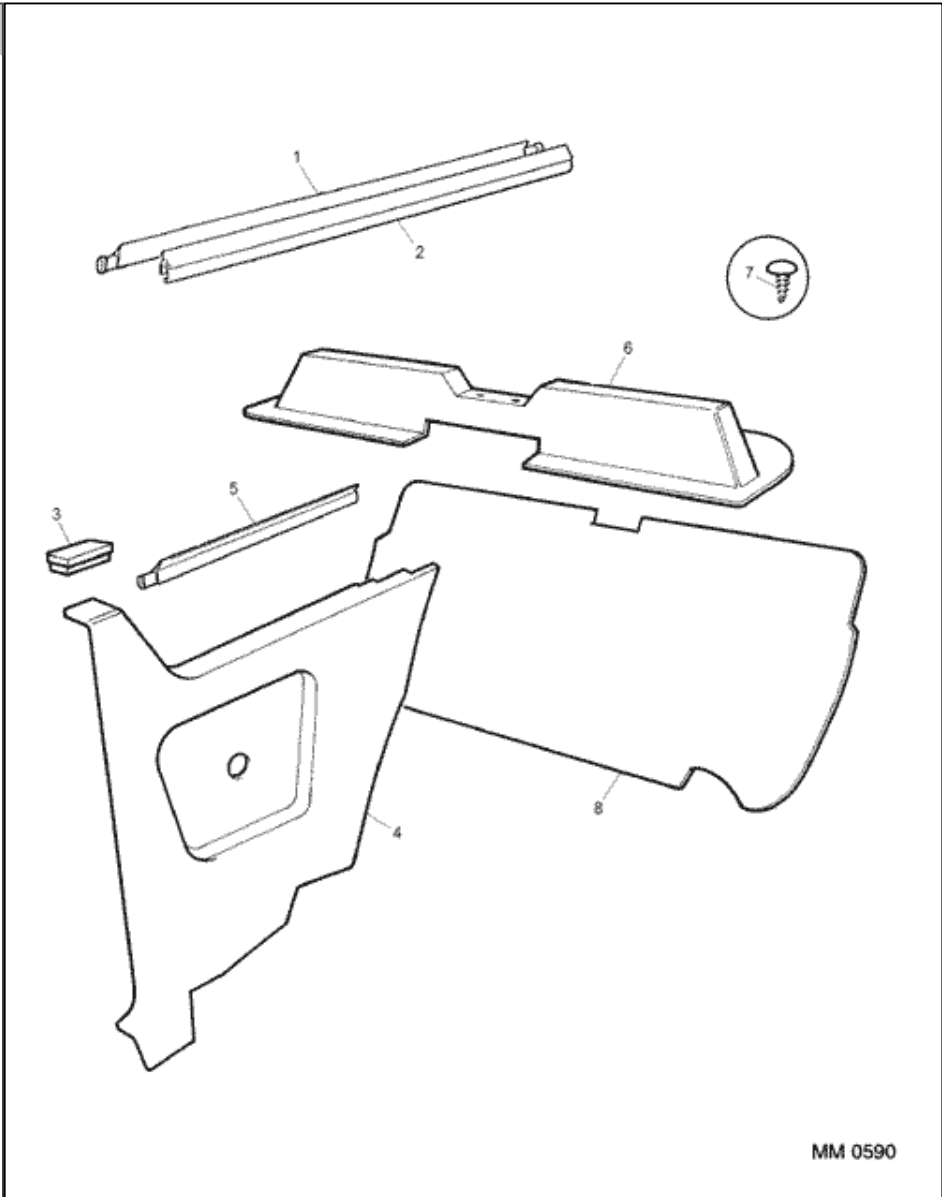
- 1 **AAC360030** - Cabriolet -
- 2 **ALR360250** - Reinforcement-A post tube - LH Cabriolet -
- 2 **ALR360240** - Reinforcement-A post tube - RH Cabriolet -
- 3 **AKC360050** - Header-front Cabriolet -
- 4 **AKC360060** - Header closing-front Cabriolet -
- 5 **ADC360050** - Crossmember-front seat mounting - LH Cabriolet -
- 5 **ADC360040** - Crossmember-front seat mounting - RH Cabriolet -
- 6 **ADU360050** - Bracket-front seat mounting Cabriolet -
- 7 **ALY100110** - B post-inner - LH Cabriolet -
- 7 **ALY100100** - B post-inner - RH Cabriolet -
- 8 **ALH360030** - Tonneau-rear - LH Cabriolet -
- 8 **ALH360020** - Tonneau-rear - RH Cabriolet -
- 9 **ADR360070** - Reinforcement-sill jacking side Cabriolet -
- 10 **SH306087** - Screw Cabriolet -
- 11 **WA110067** - Washer Cabriolet -
- 900 **AMX360010** - Kit-template Cabriolet -



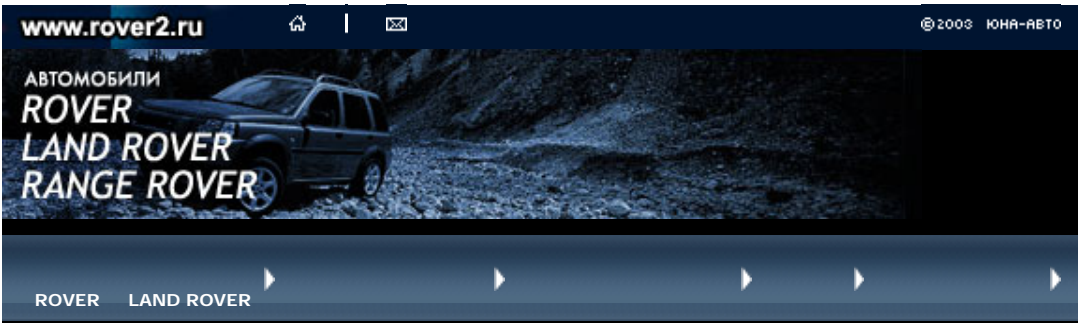


MG Rover | Mini (1990 VIN XN010001on) |  
 | Interior Finishers

- ...  
**EJU100220** - Finisher-front door waist seal - LH,  
 1 outer  
     Cabriolet -
- EJU100210** - Finisher-front door waist seal - RH,  
 1 outer  
     Cabriolet -
- EJU100200** - Finisher-front door waist seal - inner  
 2 Cabriolet -
- EMG100650LOY** - Finisher-BC post upper - LH,  
 3 Granite  
     Cabriolet -
- EMG100640LOY** - Finisher-BC post upper - RH,  
 3 Granite  
     Cabriolet -
- ENB101450LOY** - Casing-quarter trim - LH, Granite,  
 4 Chevron  
     Cabriolet -
- ENB101630LOY** - Casing-quarter trim - LH, Granite,  
 4 Windsor  
     Cabriolet -
- ENB101440LOY** - Casing-quarter trim - RH, Granite,  
 4 Chevron  
     Cabriolet -
- ENB101620LOY** - Casing-quarter trim - RH, Granite,  
 4 Windsor  
     Cabriolet -
- ENN10020** - Seal-quarter waist  
 5 Cabriolet -
- EPB100890PMA** - Parcel shelf assembly-rear end  
 6 trim - Black  
     Cabriolet -
- EPB100960PMA** - Parcel shelf assembly-rear end  
 6 trim - Black  
     Cabriolet -
- YXX4633PMP** - Fastener-drive - Black  
 7 Cabriolet -
- YXX4633LOY** - Fastener-drive - Granite  
 7 Cabriolet -
- ERV100090PMA** - Lining-trunk lid - Black  
 8 Cabriolet -
- DDR100350** - End cap-front door waistrail finisher  
 900front - LH  
     Cabriolet -
- DDR100340** - End cap-front door waistrail finisher  
 900front - RH  
     Cabriolet -
- AB604045** - Screw  
 901 Cabriolet -

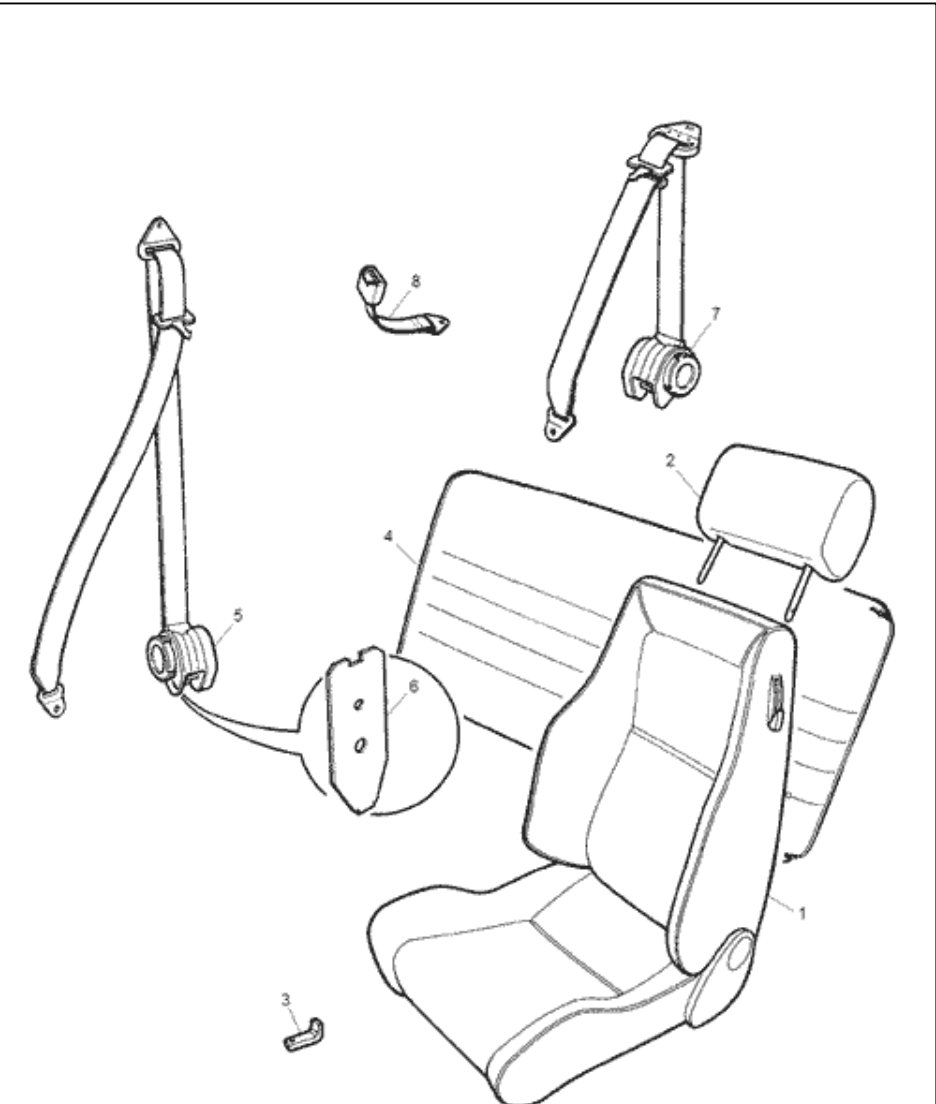


MM 0590



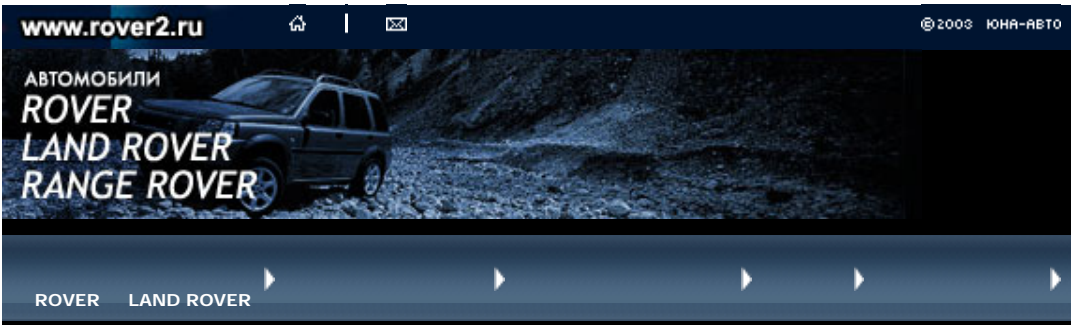
MG Rover | Mini (1990 VIN XN010001on) |  
 | [Front Seats](#)

- 1 [HAD11364LOY](#) - Seat-manual front - LH, Granite Cabriolet -
- 1 [HAD11355LOY](#) - Seat-manual front - RH, Granite Cabriolet -
- 2 [HAH10158LOY](#) - Headrest-adjustable bolster front - Granite Cabriolet -
- 3 [HHR100030](#) - Stop-front seat forward slide movement Cabriolet -
- 4 [HMA108580LOY](#) - Cover assembly-rear seat fixed bench squab - Granite, Windsor Cabriolet -
- 5 [EVB10183LOY](#) - Seat belt assembly-active front long end - LH, Granite Cabriolet -
- 5 [EVB10182LOY](#) - Seat belt assembly-active front long end - RH, Granite Cabriolet -
- 6 [EVC100100](#) - Bracket-front seat belt anti rotation Cabriolet -
- 7 [EVL10024LOY](#) - Seat belt assembly-rear bench long end - Granite Cabriolet -
- 8 [EVL10025LOY](#) - Seat belt assembly-individual rear short end - Granite Cabriolet -
- 900 [HAH102740LOY](#) - Headrest-fixed bolster front/rear - Granite Cabriolet -
- 901 [HLE10456LOY](#) - Squab-rear seat fixed bench - Granite Cabriolet -
- 902 [HLF103510LOY](#) - Cushion-rear seat fixed bench - Granite, Chevron Cabriolet -
- 903 [HPA105200LOY](#) - Cover assembly-rear seat fixed bench cushion - Granite, Windsor Cabriolet -



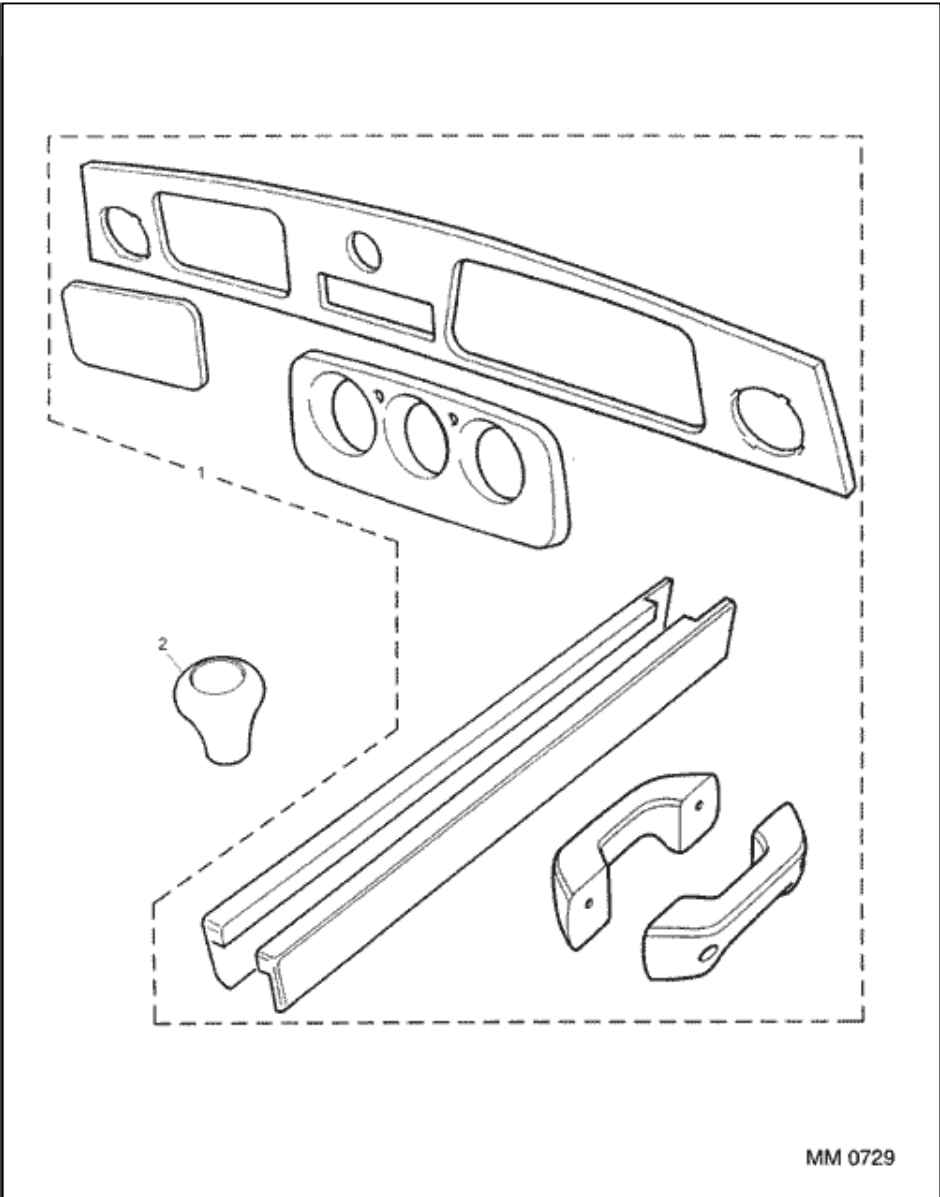
MM 0587





MG Rover | Mini (1990 VIN XN010001on) |  
 | [Facia & Door Inserts](#)

- FCE10063** - Car set-facia & door finisher veneer  
 1inserts  
     - Cabriolet -
- FCE10063** - Car set-facia & door finisher veneer  
 1inserts  
     - Cabriolet -
- FCE100850** - Car set-facia & door finisher veneer  
 1inserts  
     - Cabriolet -
- FCE100850** - Car set-facia & door finisher veneer  
 1inserts  
     - Cabriolet -
- FCE100843** - Car set-facia & door finisher veneer  
 1inserts  
     - Cabriolet -
- FCE100843** - Car set-facia & door finisher veneer  
 1inserts  
     - Cabriolet -
- FCE100680** - Car set-facia & door finisher veneer  
 1inserts  
     - Cabriolet -
- FCE100680** - Car set-facia & door finisher veneer  
 1inserts  
     - Cabriolet -
- FCE100680** - Car set-facia & door finisher veneer  
 1inserts  
     - Cabriolet -
- FCE100680** - Car set-facia & door finisher veneer  
 1inserts  
     - Cabriolet -
- FCE100841** - Car set-facia & door finisher veneer  
 1inserts  
     - Cabriolet -
- FCE100841** - Car set-facia & door finisher veneer  
 1inserts  
     - Cabriolet -
- FCE100860** - Car set-facia & door finisher veneer  
 1inserts  
     - Cabriolet -
- FCE100860** - Car set-facia & door finisher veneer  
 1inserts  
     - Cabriolet -
- FCE100842** - Car set-facia & door finisher veneer  
 1inserts  
     - Cabriolet -
- FCE100842** - Car set-facia & door finisher veneer  
 1inserts  
     - Cabriolet -
- UKJ10016ANV** - Knob assembly-change manual  
 2transmission - wooden  
     - Cabriolet -



**UKJ10016ANV - Knob assembly-change manual**

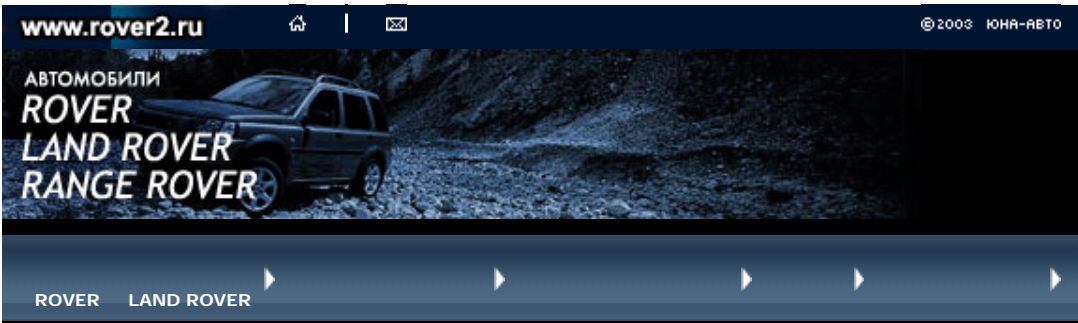
**2transmission - wooden**

**- Cabriolet -**

(095) 981-0071 (

), 154-9130, 154-4291, [info@rover2.ru](mailto:info@rover2.ru),

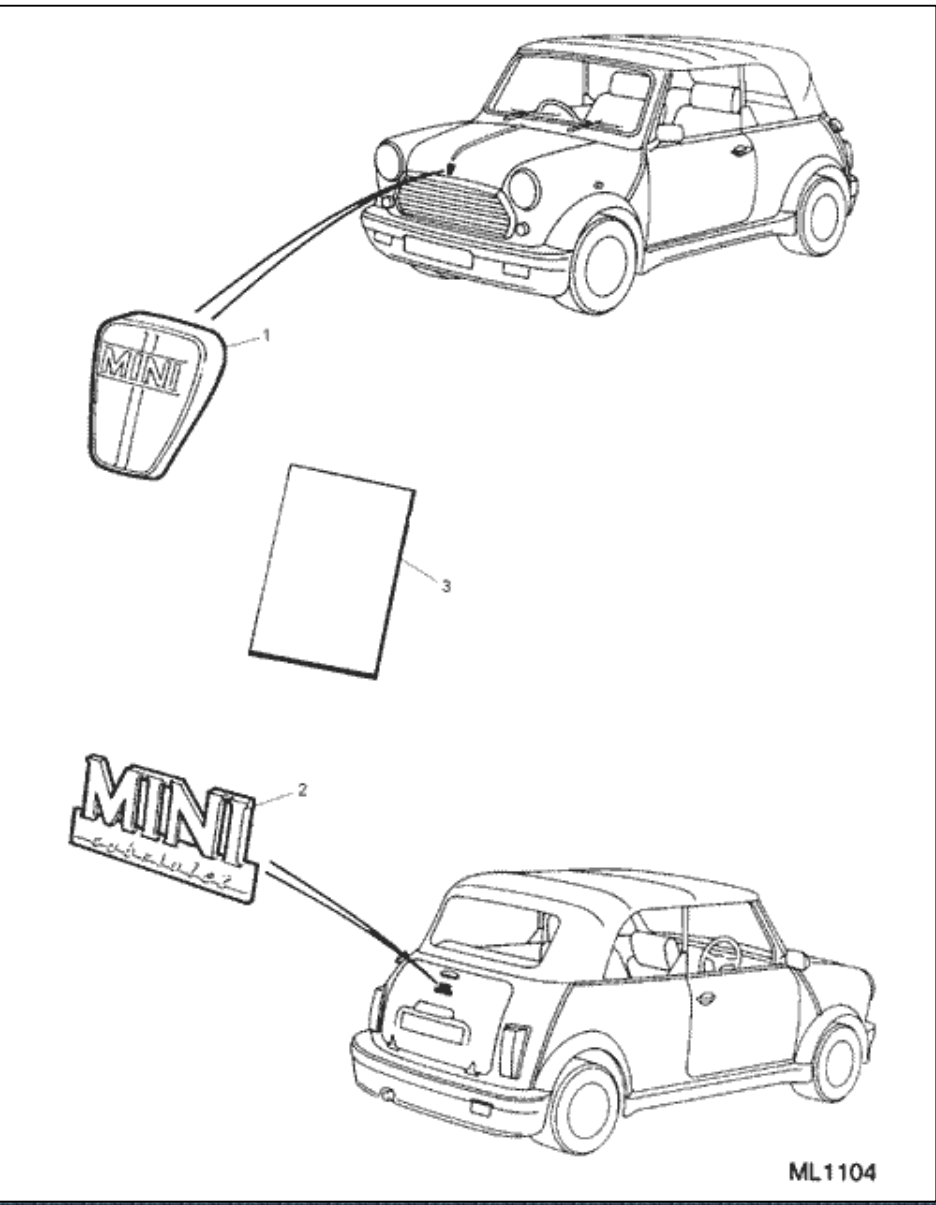
, 38,

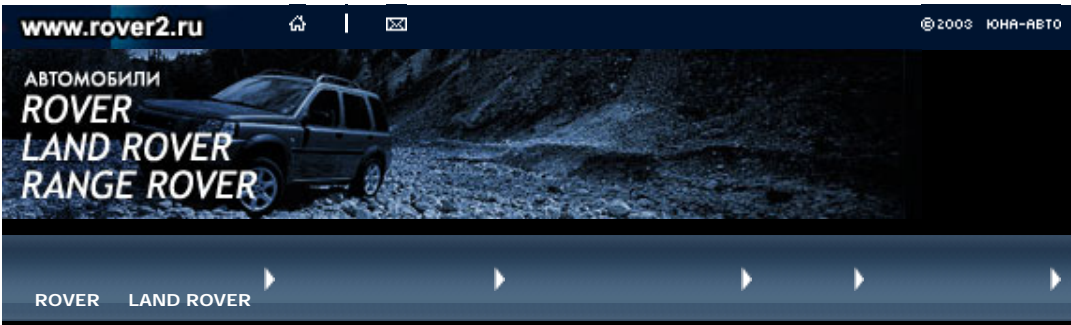


MG Rover | Mini (1990 VIN XN010001on) |  
 and Decal

| Badge

- 1 **DAB10102** - Badge-bonnet  
Cabriolet -
- 2 **DAH10038MNC** - Badge-Mini  
Cabriolet -
- 3 **DAR100290PMA** - Decal-B Post blackout  
Cabriolet -
- 900 **DAE10039GME** - Coachline-off roll - Gold  
Cabriolet -
- 900 **DAE10039MMG** - Coachline-off roll - Silver  
Cabriolet -

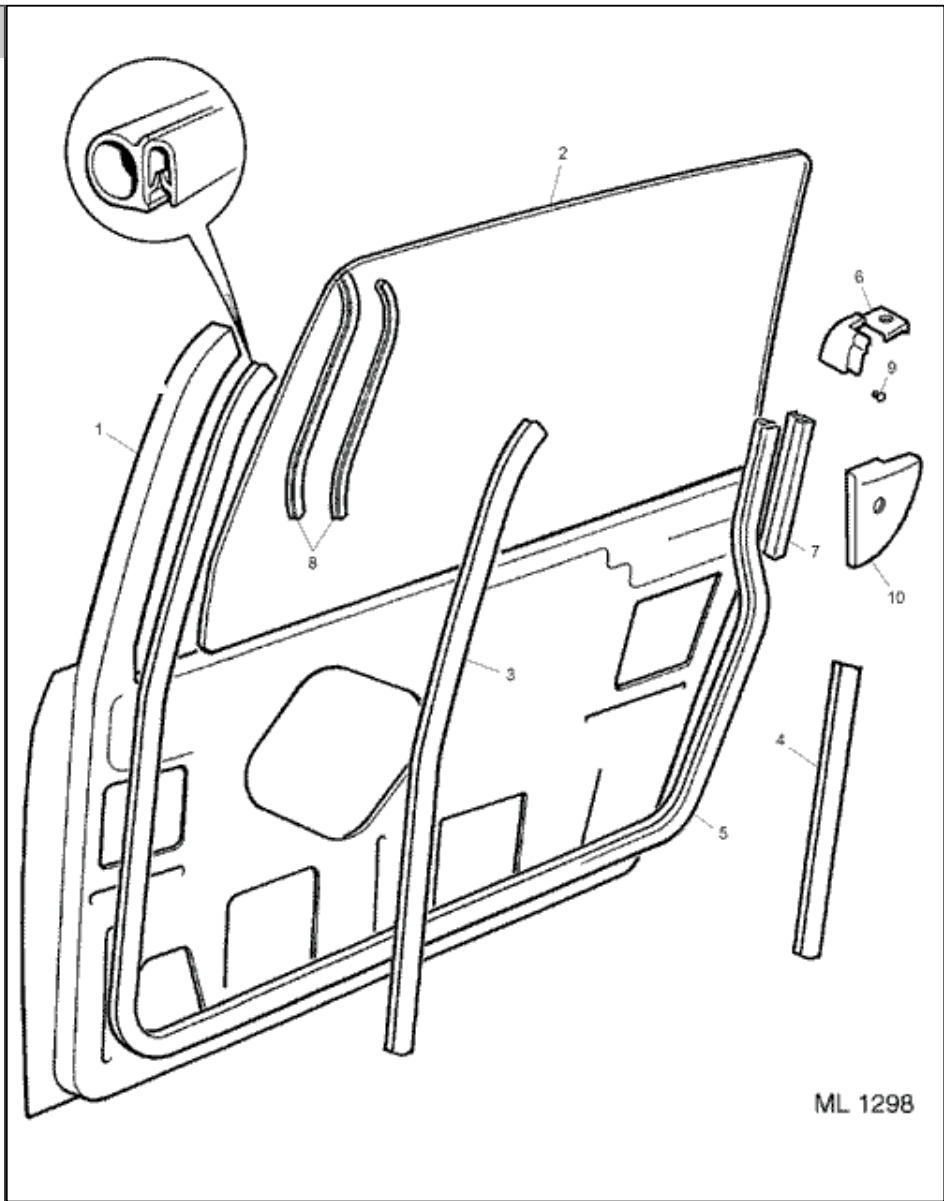




MG Rover | Mini (1990 VIN XN010001on) | Assembly

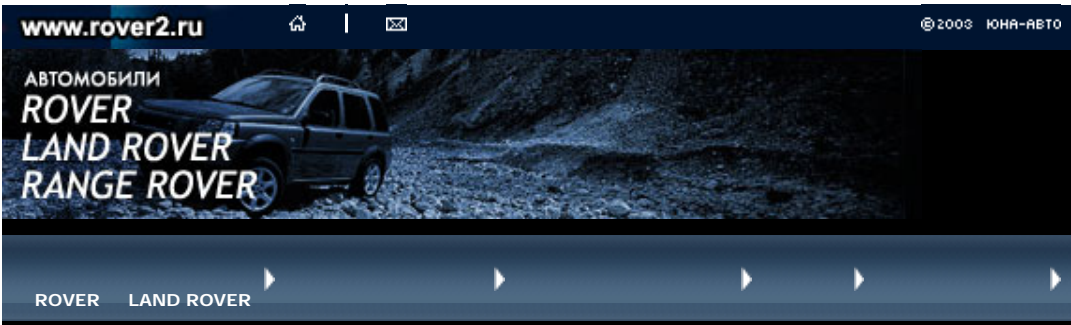
Door

- 1 **BDA360070** - Door assembly-front - LH  
Cabriolet -
- 1 **BDA360060** - Door assembly-front - RH  
Cabriolet -
- 2 **CUB10087** - Glass-front door Green  
Cabriolet -
- 3 **CFE10102** - Channel-front door glass run - front  
Cabriolet -
- 4 **CFE10105** - Channel-front door glass run - LH, rear  
Cabriolet -
- 4 **CFE10104** - Channel-front door glass run - RH, rear  
Cabriolet -
- 5 **CFB100890** - Weatherstrip-front door - LH  
Cabriolet -
- 5 **CFB100880** - Weatherstrip-front door - RH  
Cabriolet -
- 6 **CFE101570PMA** - Seal-front door - LH, upper  
Cabriolet -
- 6 **CFE101560PMA** - Seal-front door - RH, upper  
Cabriolet -
- 7 **CFE101330PMA** - Seal-front door - LH, lower  
Cabriolet -
- 7 **CFE101320PMA** - Seal-front door - RH, lower  
Cabriolet -
- 8 **CFE101380PMA** - Seal-front door - inner, outer  
Cabriolet -
- 9 **HYC10014** - Clip  
Cabriolet -
- 10 **DDL100250** - Finisher-BC post - LH  
Cabriolet -
- 10 **DDL100240** - Finisher-BC post - RH  
Cabriolet -
- 900 **EJU100200** - Finisher-front door waist seal - inner  
Cabriolet -
- 900 **EJU100220** - Finisher-front door waist seal - LH,  
outer  
Cabriolet -
- 900 **EJU100210** - Finisher-front door waist seal - RH,  
outer  
Cabriolet -
- 901 **DDR100350** - End cap-front door waistrail finisher  
front - LH  
Cabriolet -
- 901 **DDR100340** - End cap-front door waistrail finisher  
front - RH  
Cabriolet -
- 902 **AB604045** - Screw  
Cabriolet -
- 902 **AD608054** - Screw  
Cabriolet -



ML 1298

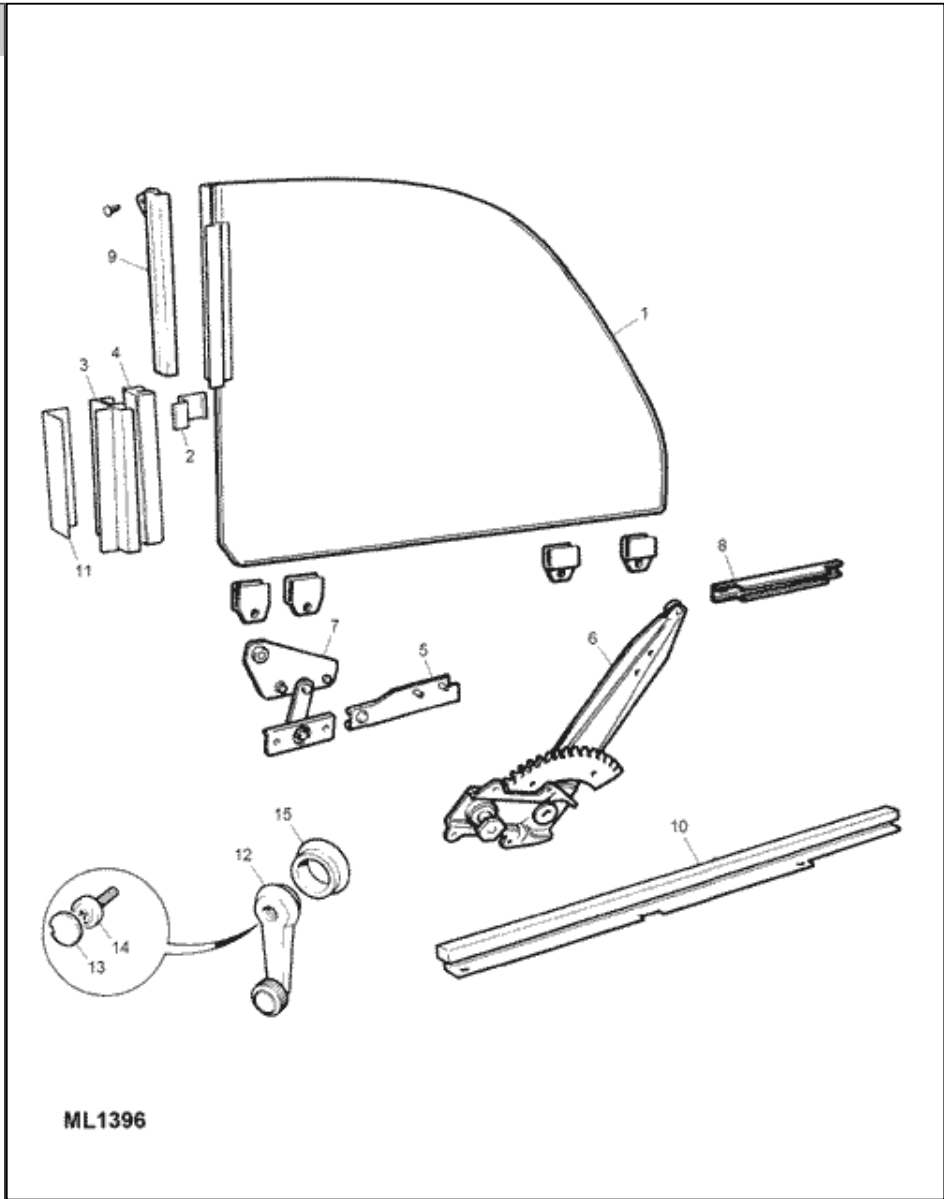




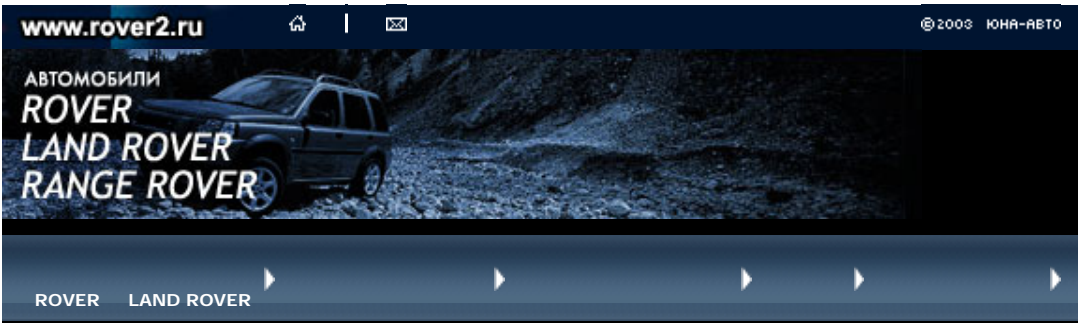
MG Rover | Mini (1990 VIN XN010001on) |  
Glass and Mechanism

| Rear

- CPD10059 - Quarterlight assembly-Green opening - 1 LH  
Cabriolet -
- CPD10058 - Quarterlight assembly-Green opening - 1 RH  
Cabriolet -
- CFT100140 - Clip-quarterlight  
Cabriolet -
- CGC10020 - Channel-rear quarter glass run  
Cabriolet -
- CGE10062 - Seal-rear quarter front glass run channel  
Cabriolet -
- CVE100110 - Channel-rear quarter glass guide - LH  
Cabriolet -
- CVE100100 - Channel-rear quarter glass guide - RH  
Cabriolet -
- CVH10091 - Regulator-rear quarter glass - LH  
Cabriolet -
- CVH10090 - Regulator-rear quarter glass - RH  
Cabriolet -
- CVF10025 - Plate assembly-rear quarter glass lift - 7 LH  
Cabriolet -
- CVF10024 - Plate assembly-rear quarter glass lift - 7 RH  
Cabriolet -
- CVF100290 - Plate-rear inner paint quarter manual regulator mounting - LH  
Cabriolet -
- CVF100280 - Plate-rear inner paint quarter manual regulator mounting - RH  
Cabriolet -
- CFE101350PMA - Seal-rear quarter glass - LH  
Cabriolet -
- CFE101340PMA - Seal-rear quarter glass - RH  
Cabriolet -
- DDF10052 - Finisher-lower-quartelight - outer  
Cabriolet -
- CZE100010 - Strip-anti rattle - inner  
Cabriolet -
- YXX3199LNF - Handle assembly-front door window  
12regulator - Ash Grey  
Cabriolet -
- YXX3199PA - Handle assembly-front door window  
12regulator - Black  
Cabriolet -
- YXX3200LNF - Plug - Ash Grey  
Cabriolet -
- YXX3200PA - Plug - Black  
Cabriolet -



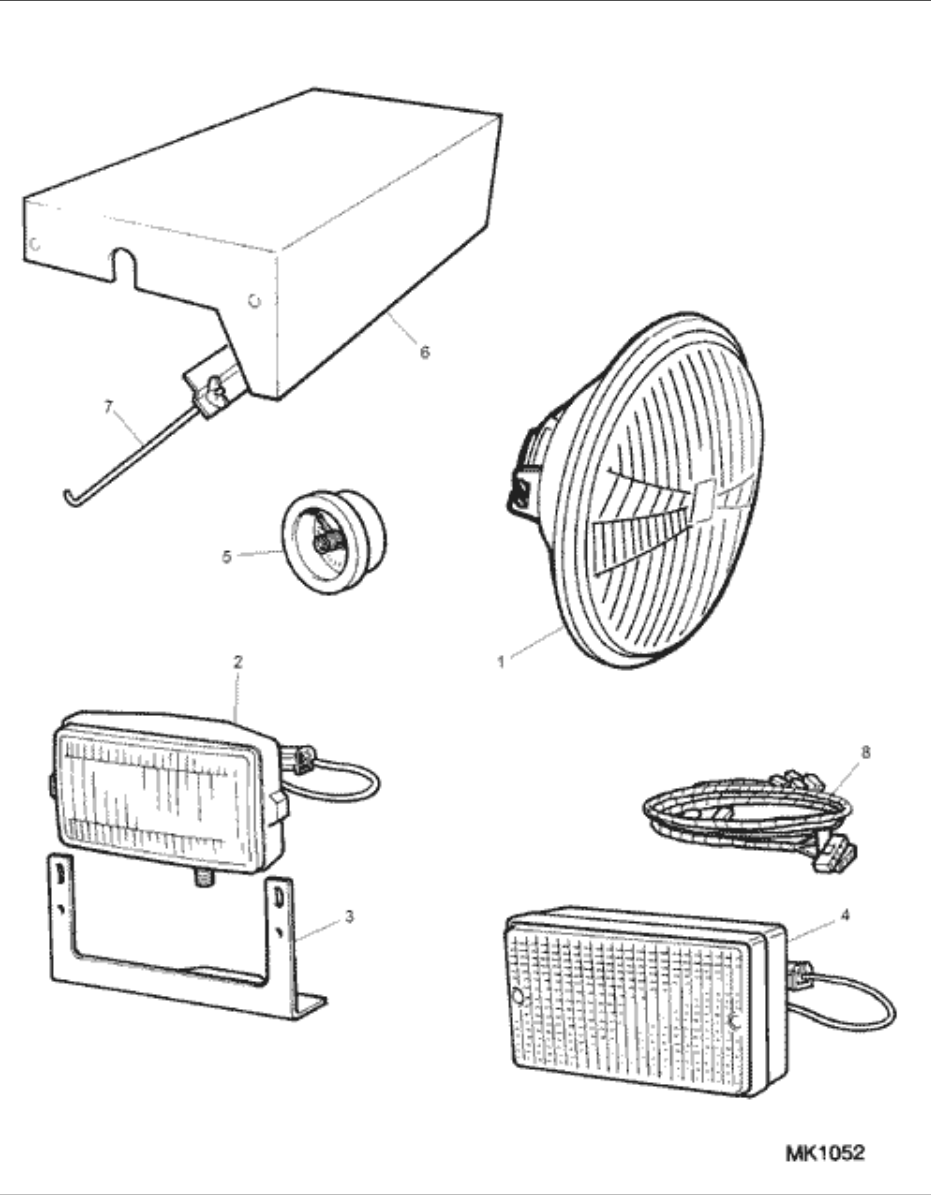
- 14 ADU8081 - Screw  
Cabriolet -  
FVN10003LNF - Escutcheon-window regulator - Ash
- 15 Grey  
Cabriolet -



MG Rover | Mini (1990 VIN XN010001on) |

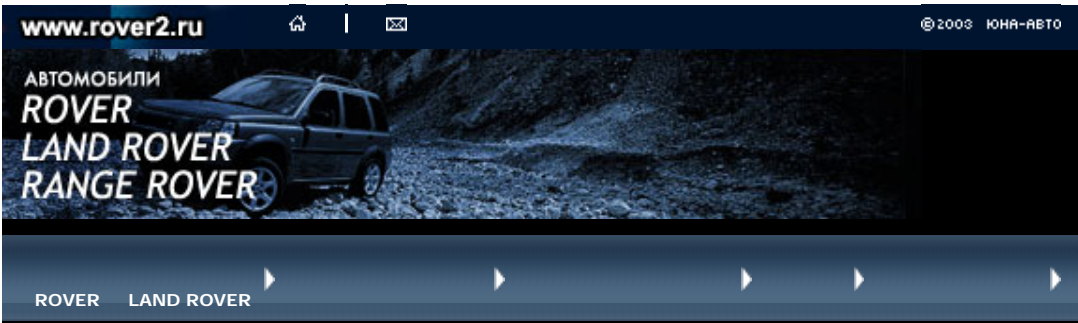
Cabriolet (2)

- ...
  - XBC10182** - Headlamp/pilot lamp-headlamp assembly
  - XBC10182** - Headlamp/pilot lamp-headlamp assembly
  - XBC10183** - Headlamp/pilot lamp-headlamp assembly
  - XBC10183** - Headlamp/pilot lamp-headlamp assembly
  - XBN100150** - Lamp-front long range driving - 2 rectangular Cabriolet -
  - XBU100470** - Bracket-long range driving lamp 3 mounting Cabriolet -
  - XFE10011** - Lamp-rear fog Cabriolet -
  - YFB100220** - Clock analogue Cabriolet -
  - YJM100020** - Cover battery Cabriolet -
  - YJG100010** - Bar-fixing battery Cabriolet -
  - YMW10025** - Harness stereo radio cassette Cabriolet -
  - XQU100270** - Bracket-speaker front - LH Cabriolet -
  - XQU100260** - Bracket-speaker front - RH Cabriolet -
  - XQD100790** - Radio cassette electronic-auto/901reversal - with RDS, Philips, R750 Cabriolet -



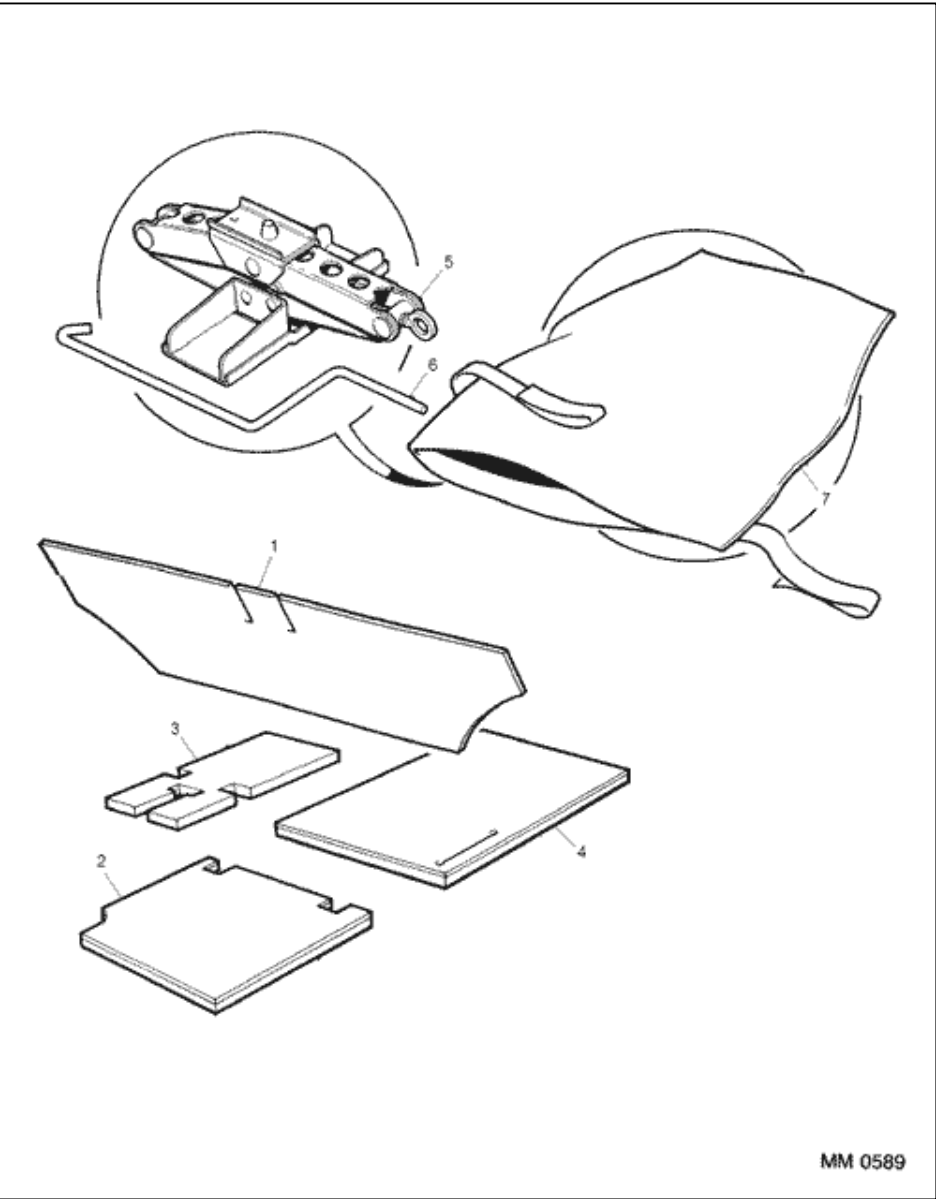
MK1052



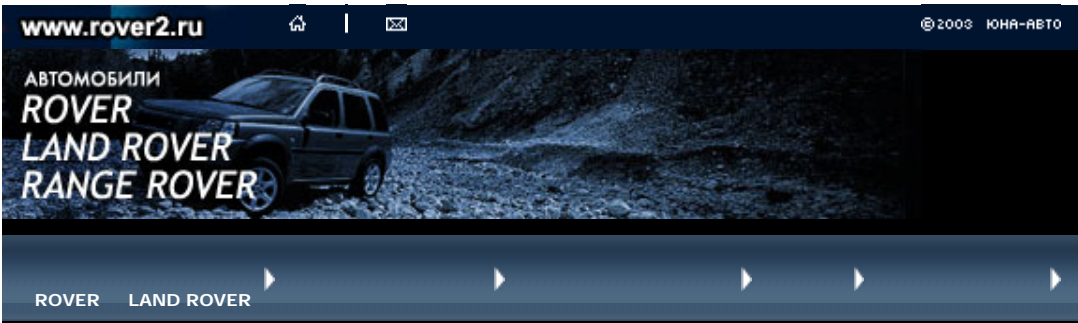


MG Rover | Mini (1990 VIN XN010001on) |  
 | [Insulations](#)

- 1 **ETD10155** - Pad-lower dash insulation - LH  
 - Cabriolet -
- 1 **ETD10155** - Pad-lower dash insulation - LH  
 - Cabriolet -
- 1 **ETD10154** - Pad-lower dash insulation - RH  
 - Cabriolet -
- 1 **ETD10154** - Pad-lower dash insulation - RH  
 - Cabriolet -
- 2 **ETL100180** - Pad-front footwell insulation  
 Cabriolet -
- 3 **ETP100160** - Pad-centre tunnel insulation  
 Cabriolet -
- 4 **EUG10017** - Pad-rear footwell insulation  
 Cabriolet -
- 5 **KAJ10005** - Jack assembly-scissors  
 Cabriolet -
- 6 **FAM8223** - Handle-jack  
 Cabriolet -
- 7 **KAC100020** - Bag-jack assembly stowage  
 Cabriolet -

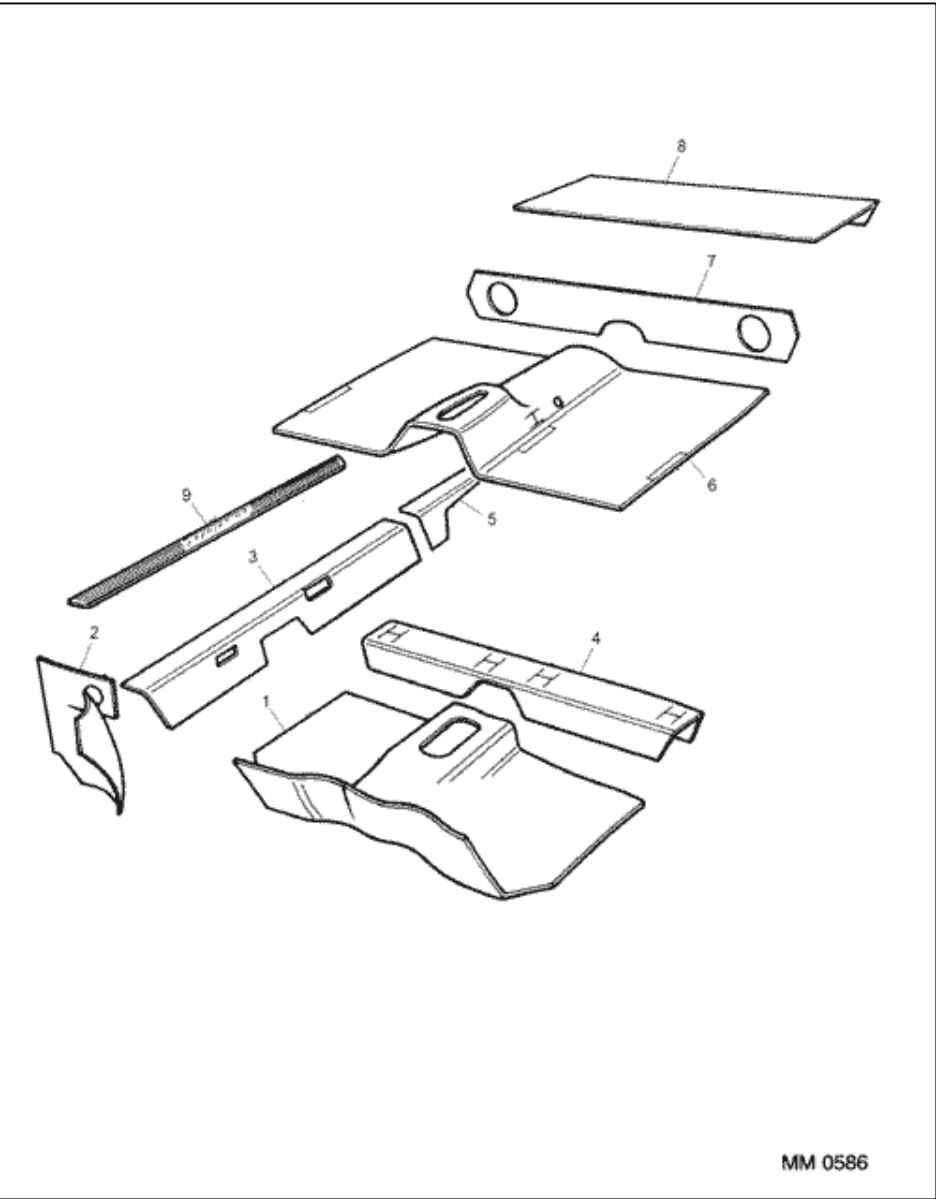


MM 0589

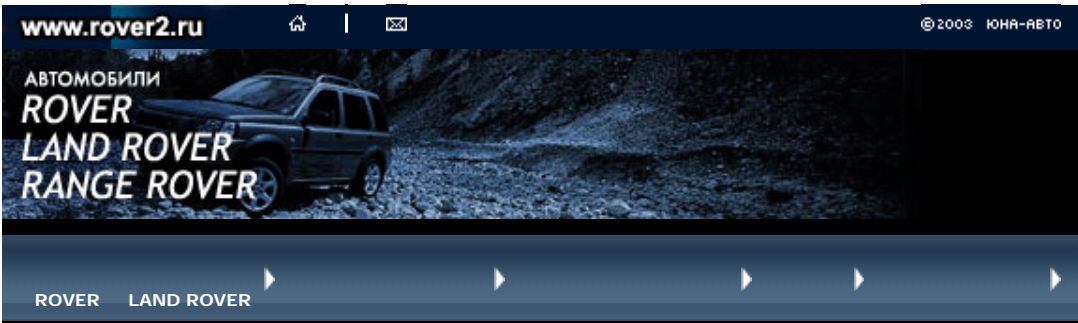


MG Rover | Mini (1990 VIN XN010001on) |  
 | Floor Coverings

- 1 **EAD101200PMA** - Carpet-front floor - Black  
 - Cabriolet -
- 1 **EAD101200PMA** - Carpet-front floor - Black  
 - Cabriolet -
- 1 **EAD101210PMA** - Carpet-front floor - Black  
 - Cabriolet -
- 1 **EAD101210PMA** - Carpet-front floor - Black  
 - Cabriolet -
- EAE100670PMA** - Carpet-front floor wheelarch -  
 2Black, LH  
 Cabriolet -
- EAE100660PMA** - Carpet-front floor wheelarch -  
 2Black, RH  
 Cabriolet -
- EAE100550PMA** - Carpet-side floor sill - Black, LH,  
 3front  
 Cabriolet -
- EAE100540PMA** - Carpet-side floor sill - Black, RH,  
 3front  
 Cabriolet -
- EAE100610PMA** - Carpet-front floor crossmember -  
 4Black  
 Cabriolet -
- EAE100650PMA** - Carpet-side floor sill - Black, LH, rear  
 5  
 Cabriolet -
- EAE100640PMA** - Carpet-side floor sill - Black, RH,  
 5rear  
 Cabriolet -
- EAE100530PMA** - Carpet-rear floor - Black  
 6  
 Cabriolet -
- EAE100620PMA** - Carpet-centre floor heelboard -  
 7Black  
 Cabriolet -
- ERK100210PMA** - Cover assembly-loadspace - Black  
 8  
 Cabriolet -
- EAN10044MMM** - Finisher-front sill-floor cover - bright  
 9  
 Cabriolet -




MM 0586



MG Rover | Mini (1990 VIN XN010001on) |

| [Lamm Cabriolet](#)

 [Lamm Cabriolet](#)

- Badges
- Body Styling
- Facia & Fittings
- Hood
- In Car Entertainment
- Road Wheels