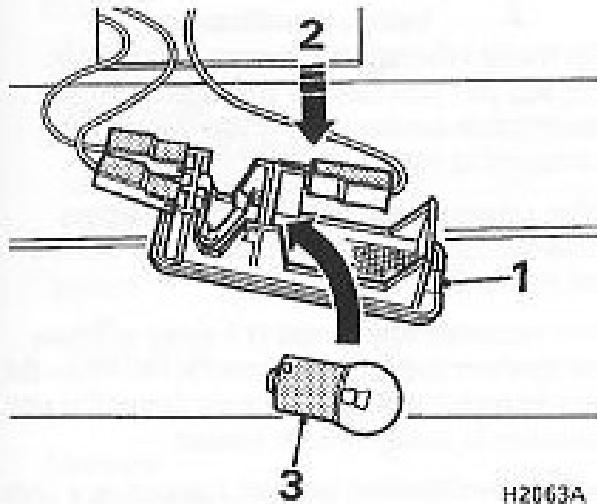


Bulb Replacement

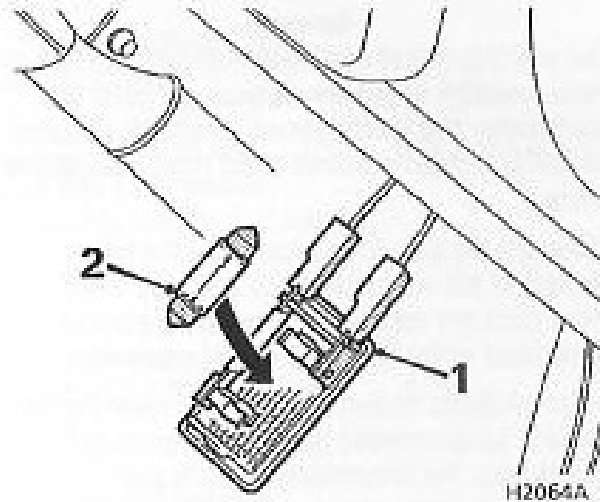


Glovebox light

To replace the bulb:

1. Release the light from the glove box at the end opposite the switch.
2. Withdraw the light and harness from the glove box.
3. Push and turn bulb to release.

Replace the bulb with an equivalent 10 watt bulb, part no. **GLB 245**.



Footwell light

To replace the bulb:

1. Release the light from its mounting bracket under the fascia.
2. Lever the bulb out of its contacts.

Replace the bulb with an equivalent 5 watt bulb, part no. **GLB 239**.