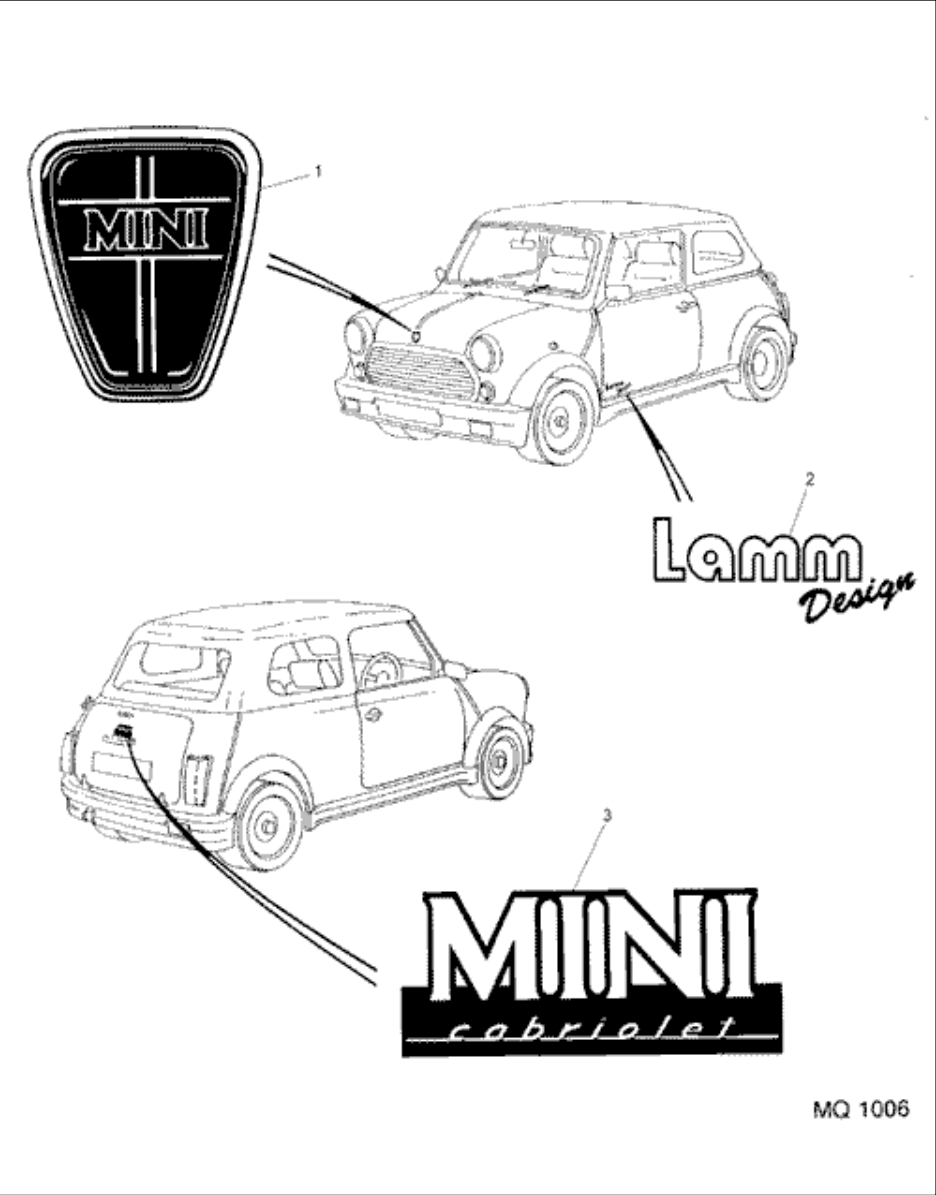
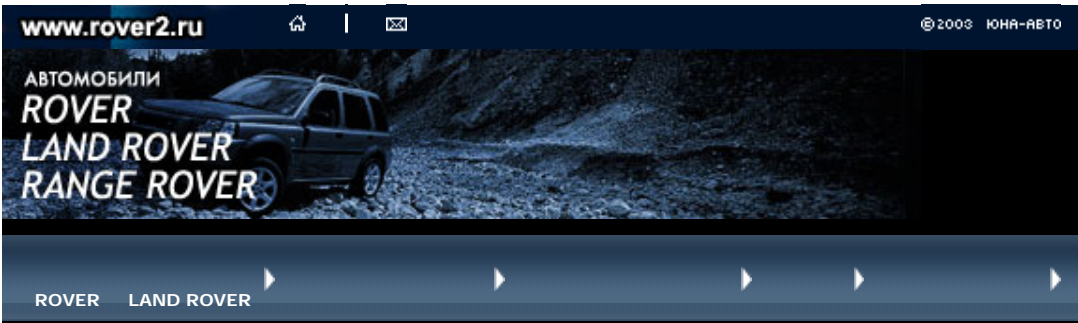


MG Rover | Mini (1990 VIN XN010001on) |

| Lamm Cabriolet | Badges

- 1 **DAB10102** - Badge-bonnet
Cabriolet -
- 2 **DAF10396CPG** - Decal-door
Cabriolet -
- 3 **DAH10038MNC** - Badge-Mini
Cabriolet -

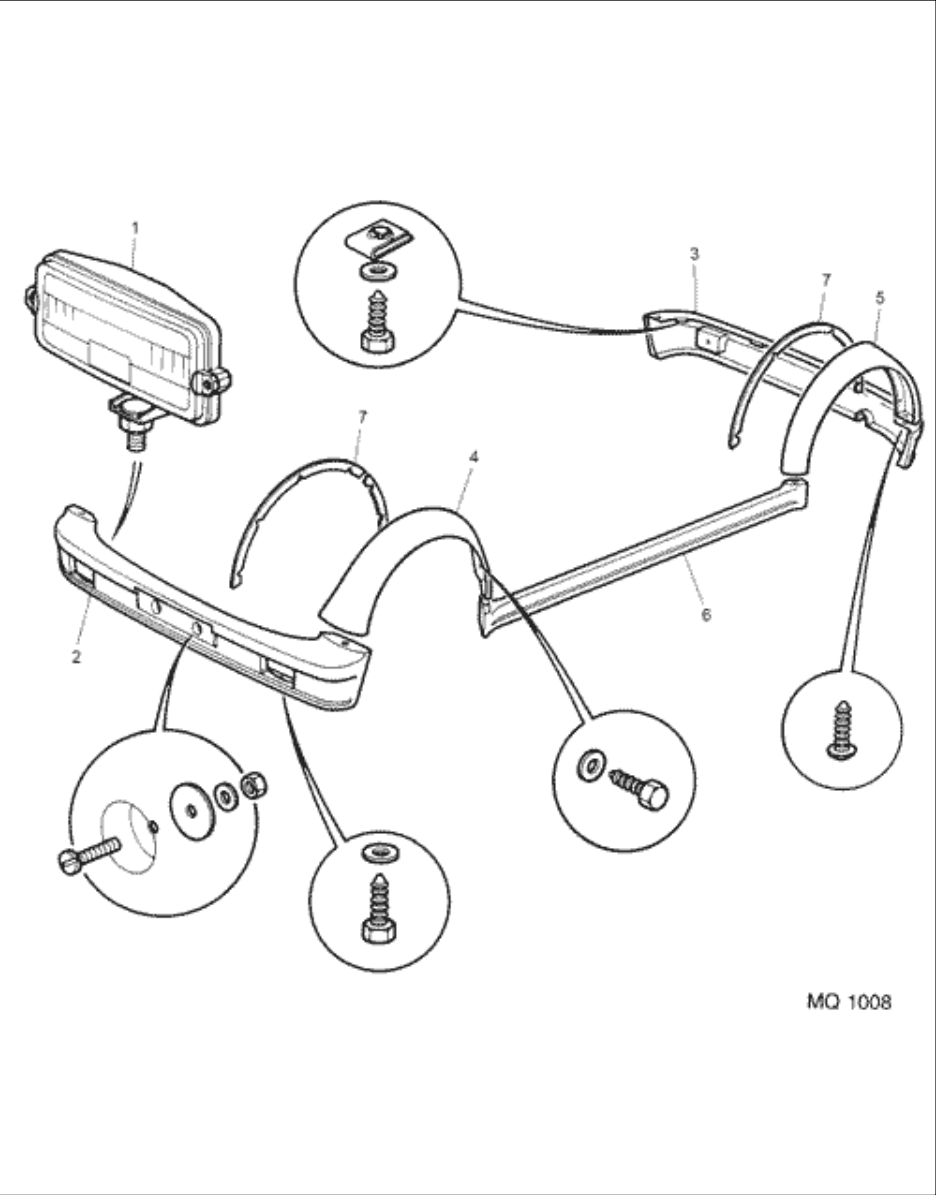




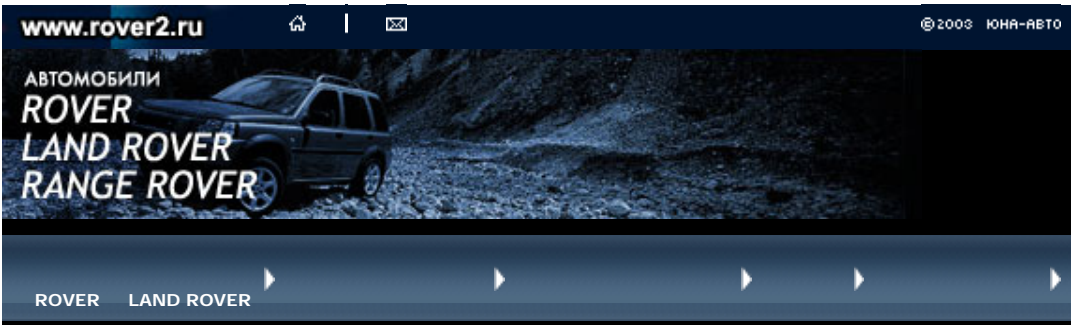
MG Rover | Mini (1990 VIN XN010001on) |

| Lamm Cabriolet | [Body Styling](#)

- ...
 - XBQ10045** - Lamp-front long range driving - 1rectangular Cabriolet -
 - DPB10196XXX** - Bumper assembly-self colour front 2 Cabriolet -
 - DQB10142XXX** - Bumper assembly-self colour rear 3 Cabriolet -
 - DFJ10007XXX** - Flare-front wheelarch - LH, Self Colour 4 Cabriolet -
 - DFJ10006XXX** - Flare-front wheelarch - RH, Self Colour 4 Cabriolet -
 - DFK10031XXX** - Flare assembly-rear wheelarch - LH, 5Self Colour Cabriolet -
 - DFK10030XXX** - Flare assembly-rear wheelarch - RH, 5Self Colour Cabriolet -
 - DFQ10047XXX** - Extension-body side sill - LH, Self 6Colour Cabriolet -
 - DFQ10046XXX** - Extension-body side sill - RH, Self 6Colour Cabriolet -
 - DFP10024** - Gasket-wheelarch flare 7 Cabriolet -



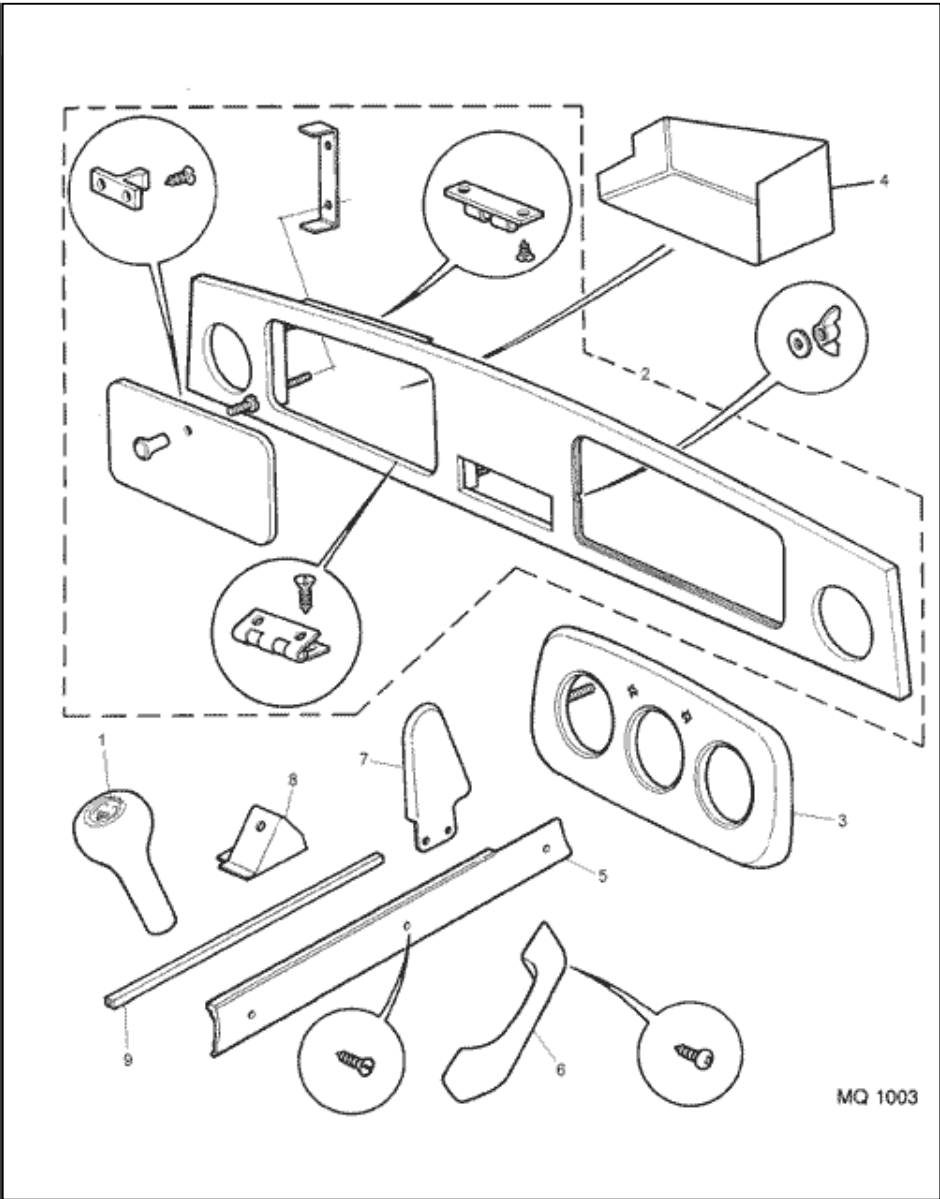
MQ 1008

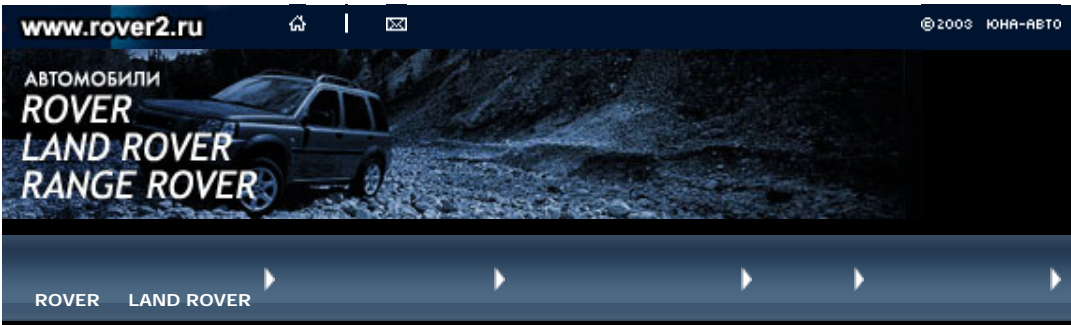


MG Rover | Mini (1990 VIN XN010001on) |

| Lamm Cabriolet | **Facia & Fittings**

- ...
 - UKJ10015ANV** - Knob assembly-change manual transmission Cabriolet -
 - FAB10149ANV** - Facia assembly-front end - Cabriolet -
 - FAB10149ANV** - Facia assembly-front end - Cabriolet -
 - FAB10158ANV** - Facia assembly-front end - Cabriolet -
 - FAB10158ANV** - Facia assembly-front end - Cabriolet -
 - FAV10058ANV** - Bezel assembly-facia instrument - Cabriolet -
 - FAV10058ANV** - Bezel assembly-facia instrument - Cabriolet -
 - FAV10059ANV** - Bezel assembly-facia instrument - Cabriolet -
 - FAV10059ANV** - Bezel assembly-facia instrument - Cabriolet -
 - FFK10005PMA** - Liner-glovebox - LH Cabriolet -
 - FFK10004PMA** - Liner-glovebox - RH Cabriolet -
 - EKH10021ANV** - Finisher assembly-front door waist - LH Cabriolet -
 - EKH10020ANV** - Finisher assembly-front door waist - RH Cabriolet -
 - EJE10001ANV** - Pull-front door Cabriolet -
 - EWR10027CPE** - Cover-front seat belt upper anchorage - LH Cabriolet -
 - EWR10026CPE** - Cover-front seat belt upper anchorage - RH Cabriolet -
 - EWR10025PMA** - Cover-rear seat belt upper anchorage - LH Cabriolet -
 - EWR10024PMA** - Cover-rear seat belt upper anchorage - RH Cabriolet -
 - ENN10009** - Seal-quarter waist Cabriolet -
 - CFB10068** - Seal-front/rear door gap Cabriolet -

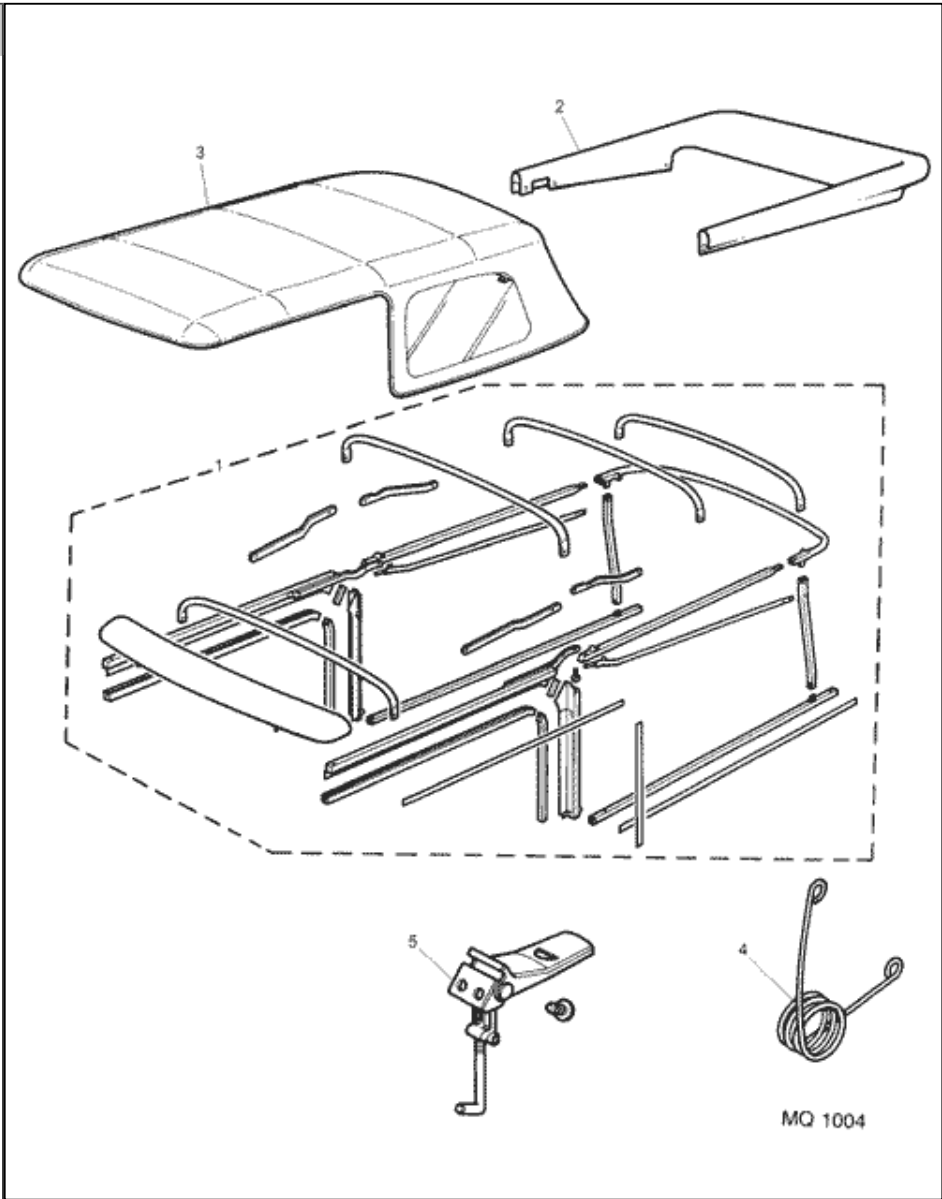




MG Rover | Mini (1990 VIN XN010001on) |

| Lamm Cabriolet | Hood

- ...
 - DSE10003PML** - Frame assembly-manual
 - 1 convertible hood
 - Cabriolet -
 - DSD10005CPE** - Cover assembly-convertible hood
 - 2 tonneau
 - Cabriolet -
 - DJX10001CPE** - Fabric-convertible hood cover
 - 3 Cabriolet -
 - DJW10005PML** - Spring-convertible hood link - LH
 - DJW10004PML** - Spring-convertible hood link - RH
 - 4 Cabriolet -
 - DSC10014GML** - Fastener-drive
 - 5 Cabriolet -
 - DJY10003** - Link-front horizontal support to rear
 - 900vertical support - LH
 - Cabriolet -
 - DJY10002** - Link-front horizontal support to rear
 - 900vertical support - RH
 - Cabriolet -
 - DJY10005** - Link-centre top rail to front horizontal
 - 901support - LH, front
 - Cabriolet -
 - DJY10007** - Link-centre top rail to front horizontal
 - 901support - LH, rear
 - Cabriolet -
 - DJY10004** - Link-centre top rail to front horizontal
 - 901support - RH, front
 - Cabriolet -
 - DJY10006** - Link-centre top rail to front horizontal
 - 901support - RH, rear
 - Cabriolet -
 - DJE10007** - Bow assembly-convertible hood frame
 - 902front
 - Cabriolet -
 - DJE10008** - Bow-manual convertible hood frame
 - 903second - front, centre
 - Cabriolet -
 - DJE10011** - Bow-manual convertible hood frame
 - 903second - rear, centre
 - Cabriolet -
 - DJE10012** - Bow-convertible hood frame rear
 - 904 Cabriolet -
 - DYG10042** -
 - 905 Cabriolet -
 - DYP10054** - Screw
 - 906 Cabriolet -
 - DYF10036** - Washer
 - 907 Cabriolet -
 - DYH10047** - Nut
 - 908 Cabriolet -



DSS10004MMM - Striker-convertible hood front

909header

Cabriolet -

DSS10001MMM - Striker-convertible hood front

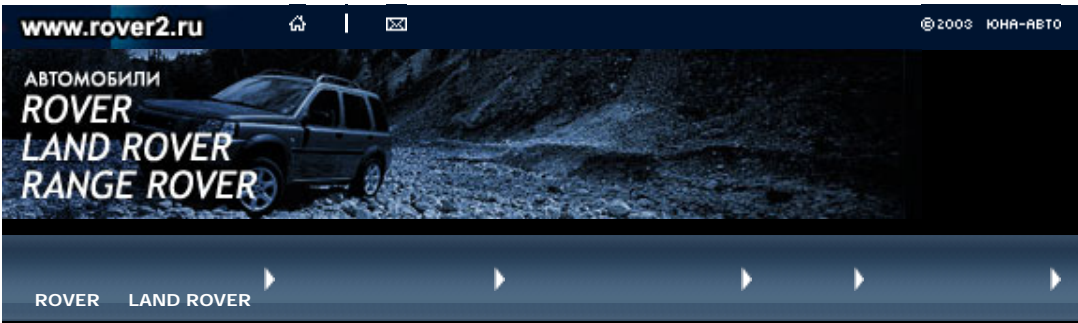
909header

Cabriolet -

. (095) 981-0071 (

), 154-9130, 154-4291, info@rover2.ru,

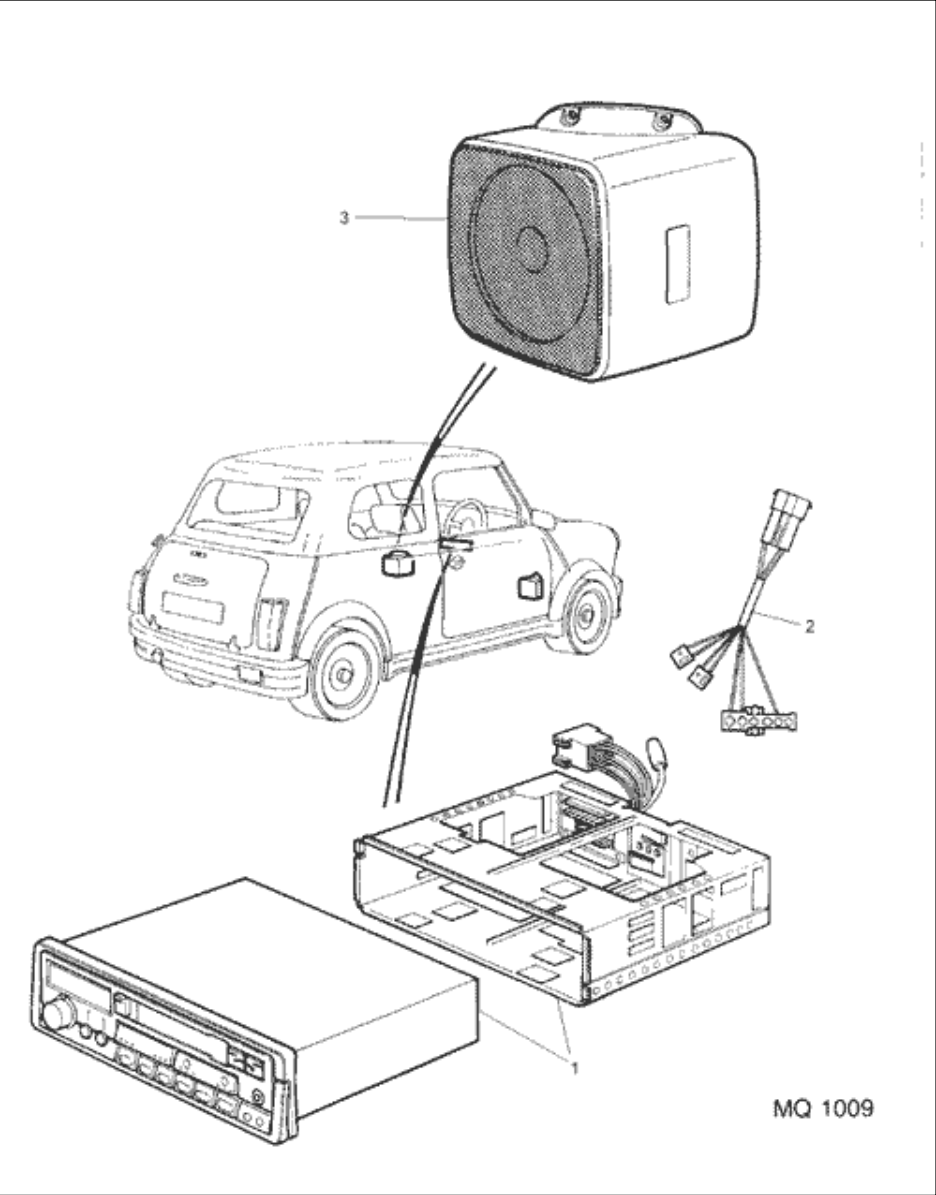
, 38, _____

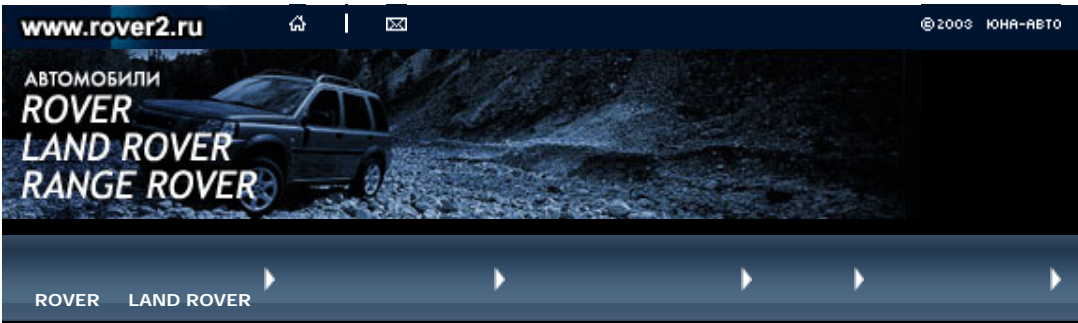


MG Rover | Mini (1990 VIN XN010001on) |

| Lamm Cabriolet | In Car Entertainment

- 1 **XQD10062** - Radio cassette mechanical
Cabriolet -
- 2 **YMW10014** - Harness stereo radio cassette - R682
Cabriolet -
- 3 **XQM10061PME** - Speaker assembly-front twin cone
Cabriolet -

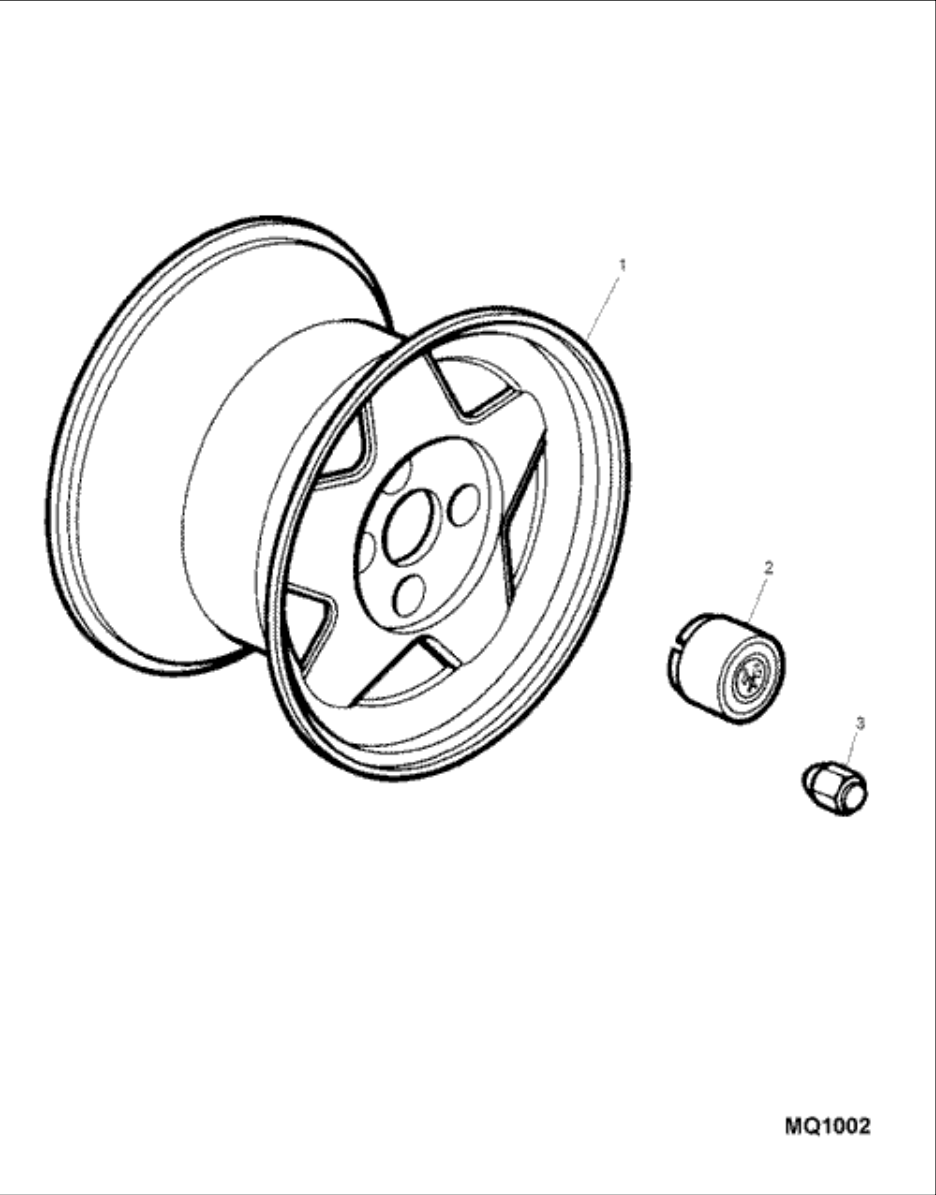




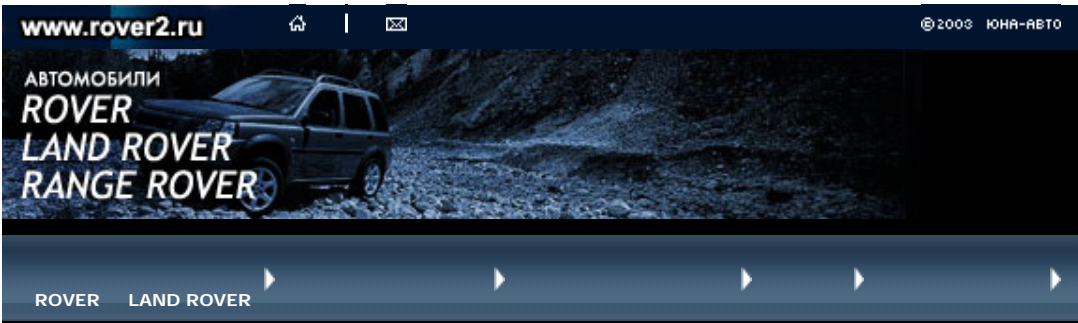
MG Rover | Mini (1990 VIN XN010001on) |

| Lamm Cabriolet | [Road Wheels](#)

- 1 **RRC10456MMP** - Wheel-alloy road
Cabriolet -
- 2 **DTC10050PMA** - Trim-centre roadwheel
Cabriolet -
- 3 **NAM9075** - Nut-alloy road wheels
Cabriolet -



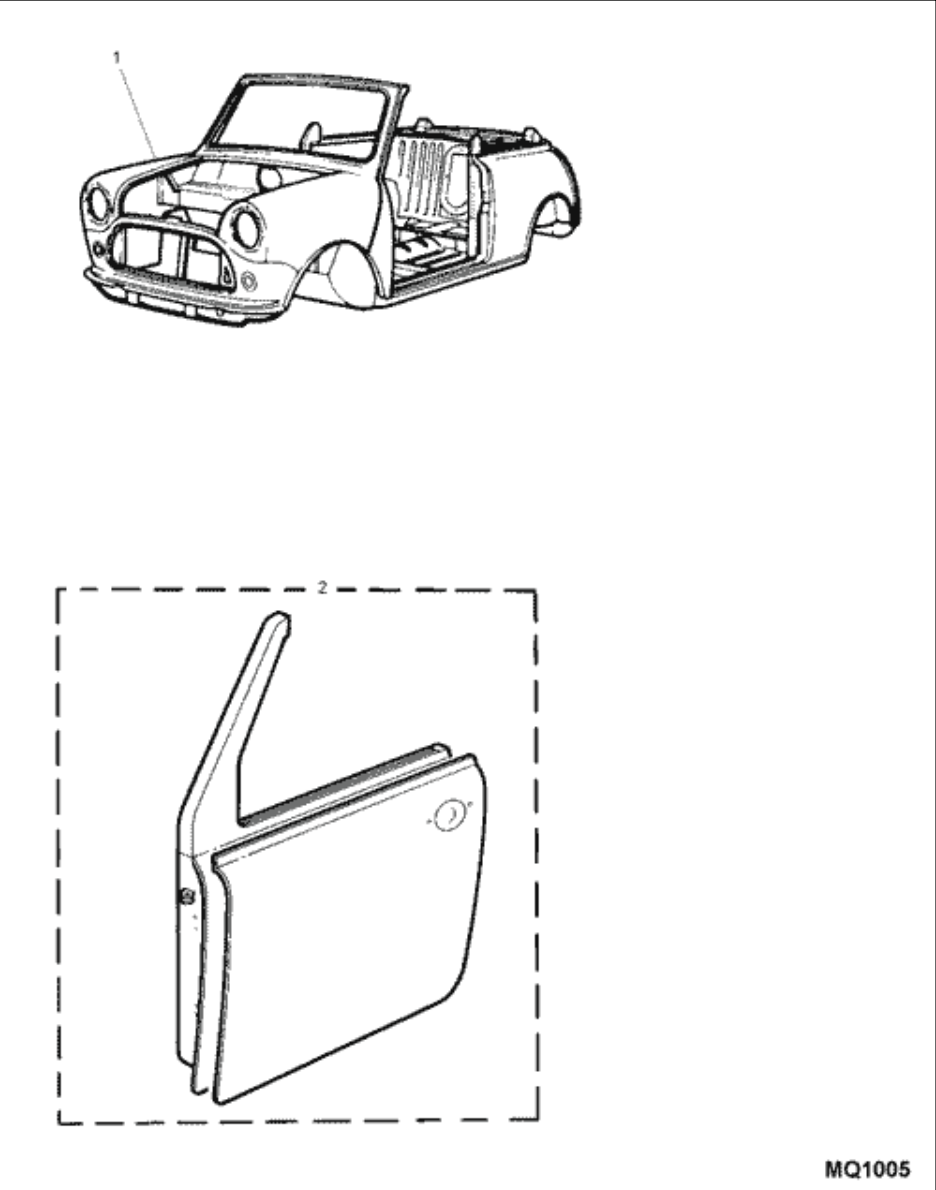
MQ1002



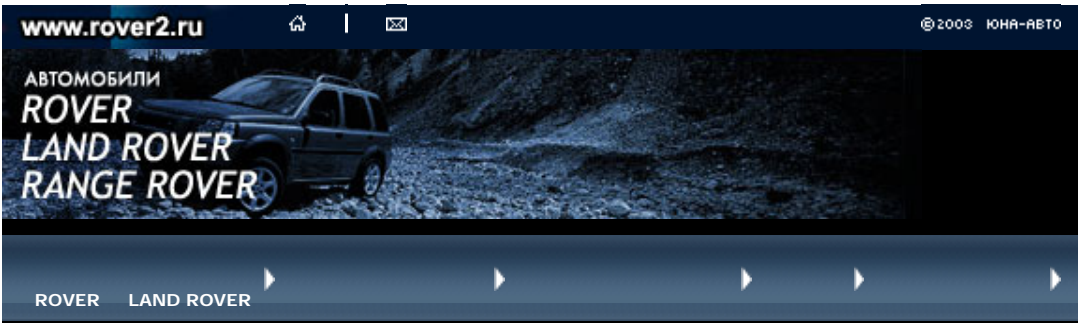
MG Rover | Mini (1990 VIN XN010001on) |

| Lamm Cabriolet |

- 1 **AAB36003** - Body less doors
Cabriolet -
- 2 **BDA36003** - Door assembly-front - LH
Cabriolet -
- 2 **BDA36002** - Door assembly-front - RH
Cabriolet -



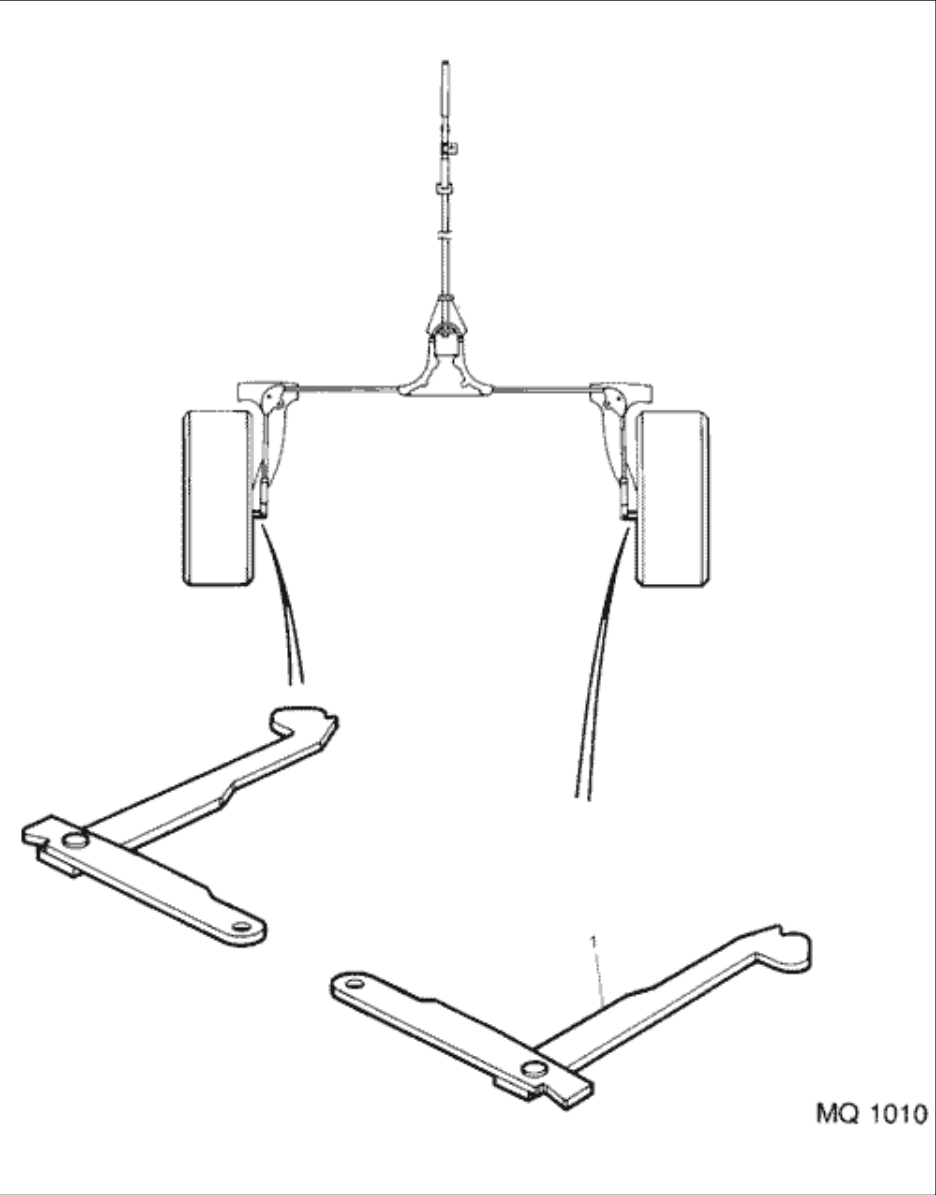
MQ1005



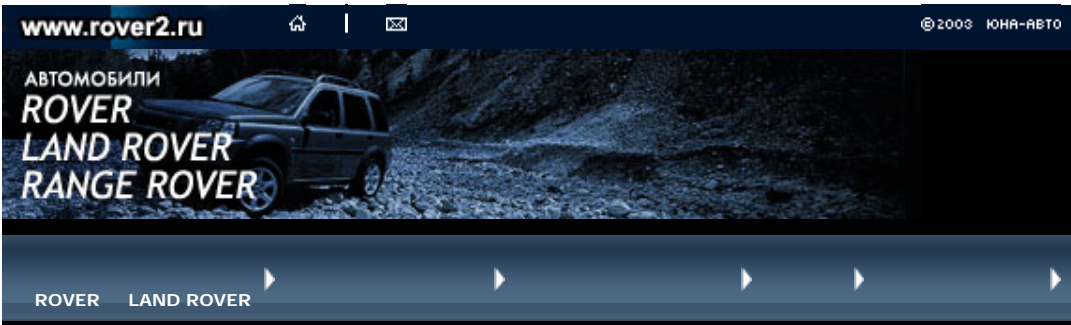
MG Rover | Mini (1990 VIN XN010001on) |

| Lamm Cabriolet |

1 SKC10008 - Lever handbrake - LH
Cabriolet -



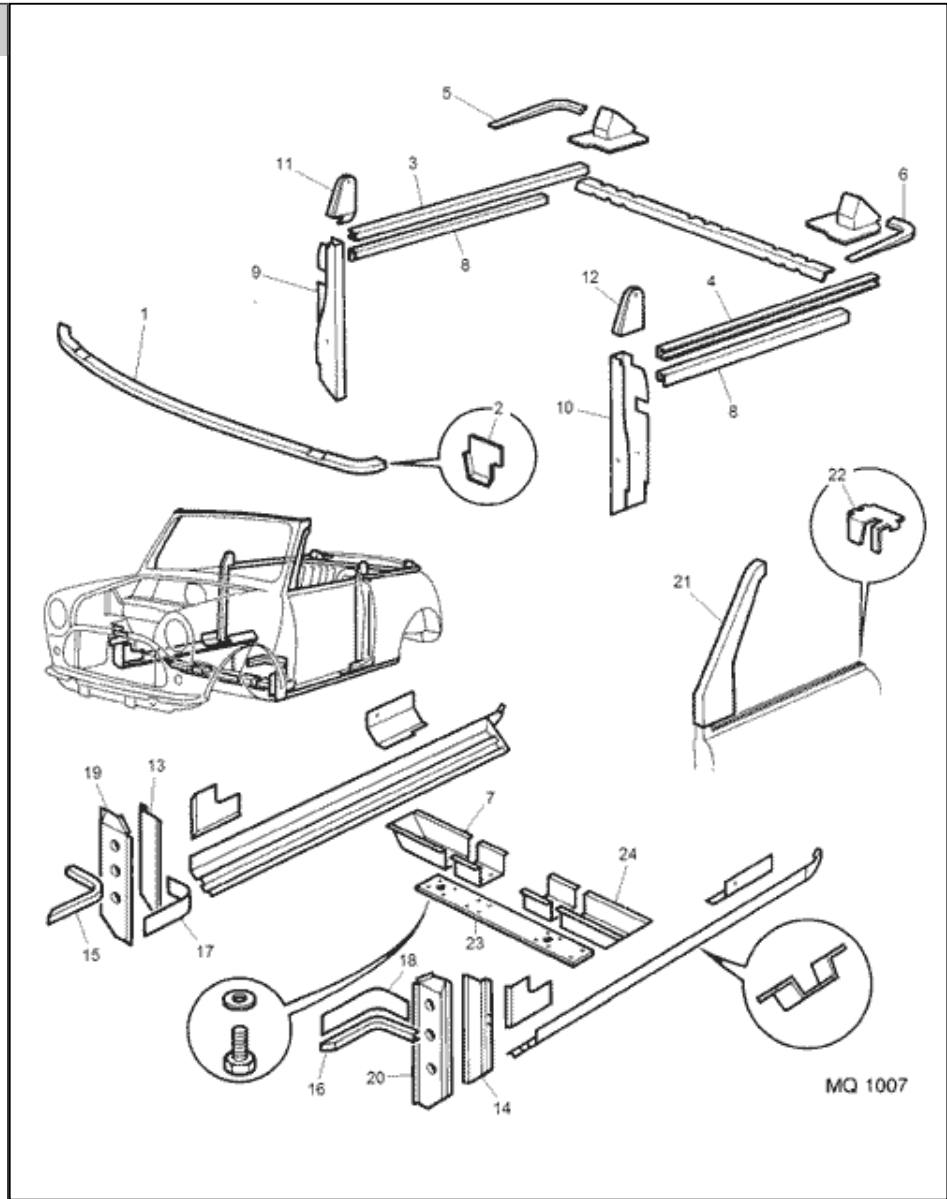
MQ 1010



MG Rover | Mini (1990 VIN XN010001on) |

| Lamm Cabriolet |

- 1 **ASP36001** - Plate-windscreen top rail finisher
Cabriolet -
- 2 **AMN36005** - Cap-a post - LH
Cabriolet -
- 2 **AMN36004** - Cap-a post - RH
Cabriolet -
- 3 **ALR36010** - Reinforcement-tube B post-rear parcel
shelf
Cabriolet -
- 4 **ALR36011** - Reinforcement assembly-A post - LH
Cabriolet -
- 5 **ALF36002** - Cantrail-top - RH, rear
Cabriolet -
- 6 **ALF36003** - Cantrail-top - LH, rear
Cabriolet -
- 7 **ADR36004** - Reinforcement-main floor - RH
Cabriolet -
- 8 **ALA5679** - Retainer
Cabriolet -
- 9 **ALR36012** - Reinforcement assembly-B post - RH
Cabriolet -
- 10 **ALR36013** - Reinforcement assembly-B post - LH
Cabriolet -
- 11 **ALR36014** - Reinforcement assembly-safety
harness - RH
Cabriolet -
- 12 **ALR36015** - Reinforcement assembly-safety
harness - LH
Cabriolet -
- 13 **ALR36004** - Reinforcement-front wheelarch inner -
RH
Cabriolet -
- 14 **ALR36005** - Reinforcement-front wheelarch inner -
LH
Cabriolet -
- 15 **ALR36018** - Reinforcement-front wheelarch inner -
RH
Cabriolet -
- 16 **ALR36019** - Reinforcement-front wheelarch inner -
LH
Cabriolet -
- 17 **ALR36016** - Reinforcement-wheelarch inner body -
RH
Cabriolet -
- 18 **ALR36017** - Reinforcement-wheelarch inner body -
LH
Cabriolet -
- 19 **ALR36006** - Reinforcement-wheelarch inner body -
RH
Cabriolet -



- 20 LH ALR36007 - Reinforcement-wheelarch inner body - Cabriolet -
- 21 BDR36003 - Reinforcement-front door inner - LH Cabriolet -
- 21 BDR36002 - Reinforcement-front door inner - RH Cabriolet -
- 22 BDN36003 - Cap-front door glass guide - LH Cabriolet -
- 22 BDN36002 - Cap-front door glass guide - RH Cabriolet -
- 23 ADR36001 - Reinforcement-main floor Cabriolet -
- 24 ADR36005 - Reinforcement-main floor - LH Cabriolet -
- 900 BDN36005 - Cap-front door reinforcement - LH Cabriolet -
- 900 BDN36004 - Cap-front door reinforcement - RH Cabriolet -
- 901LH ALR36009 - Reinforcement-wheelarch inner body - Cabriolet -
- 901RH ALR36008 - Reinforcement-wheelarch inner body - Cabriolet -
- 902 ADR36002 - Reinforcement-main floor centre - RH Cabriolet -
- 903 ADR36003 - Reinforcement-main floor - LH Cabriolet -
- 904 ALR36003 - Reinforcement assembly-sill - LH Cabriolet -
- 904 ALR36002 - Reinforcement assembly-sill - RH Cabriolet -